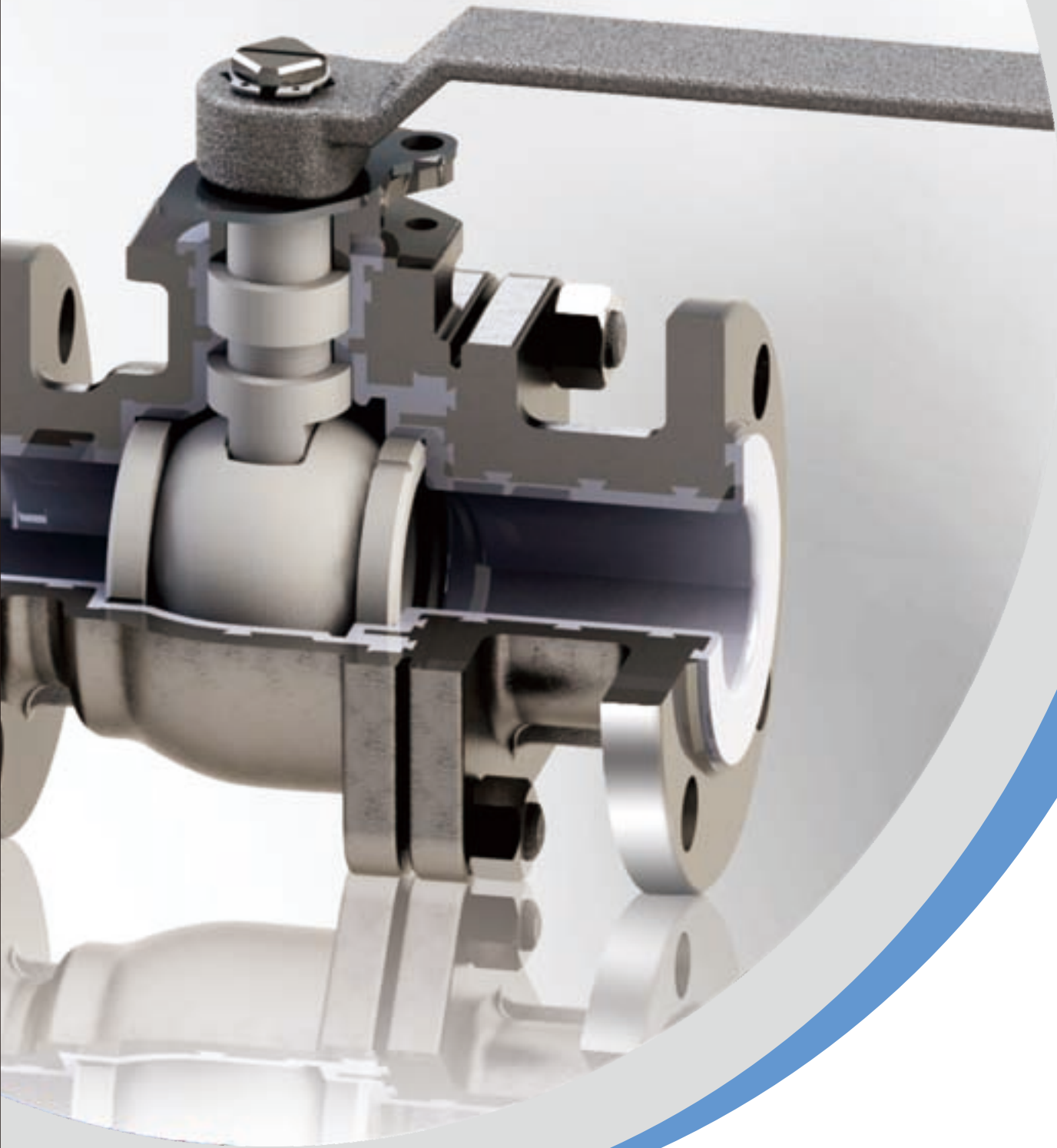




Kingdom

FLOW CONTROL CO., LTD.

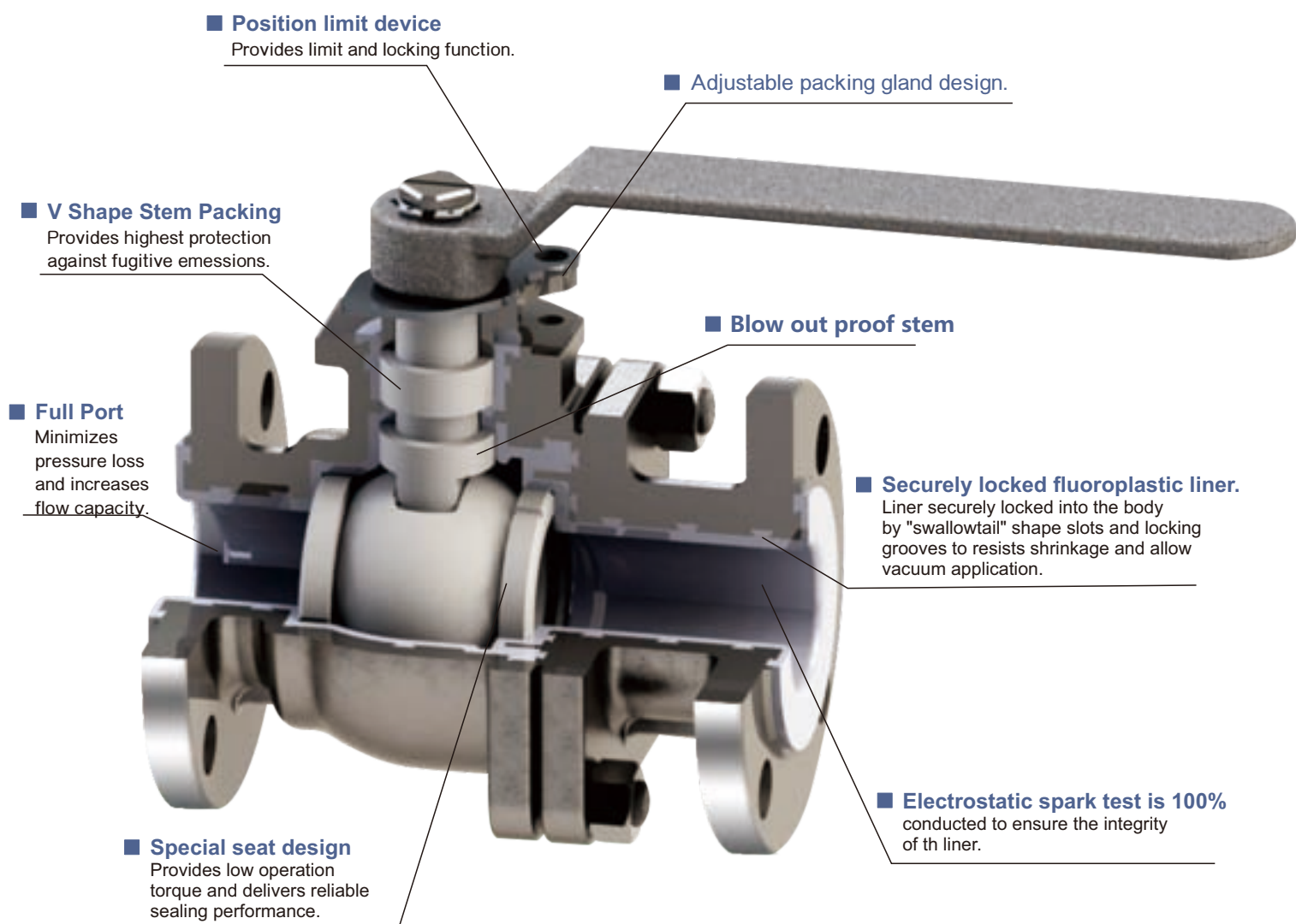


Lined Ball Valves

Product features

The fluorine lined ball valve is made with specially crafted molds to ensure a delicate surface for perfect sealing. The V-shaped PTFE stem packing assembly assures zero leakage of valves. Full fluorine plastic lining technology is applied for strong corrosive mediums.

Both the inner chamber and the ball are made using high-pressure injection molding with corrosion-resistant and ageing-resistant PFA lining for reliable anti-corrosion and sealing performance. The fluorine lined ball valve is suitable for use by the petrochemical, chemical engineering, food processing, and pharmaceutical industries to block strongly corrosive mediums, such as acid and alkaline, in the production process.



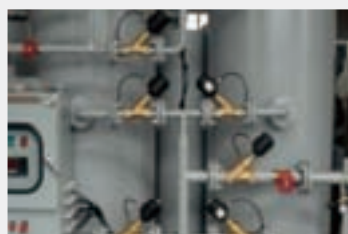
Applicability in Process Control



Petrochemical



Chemical

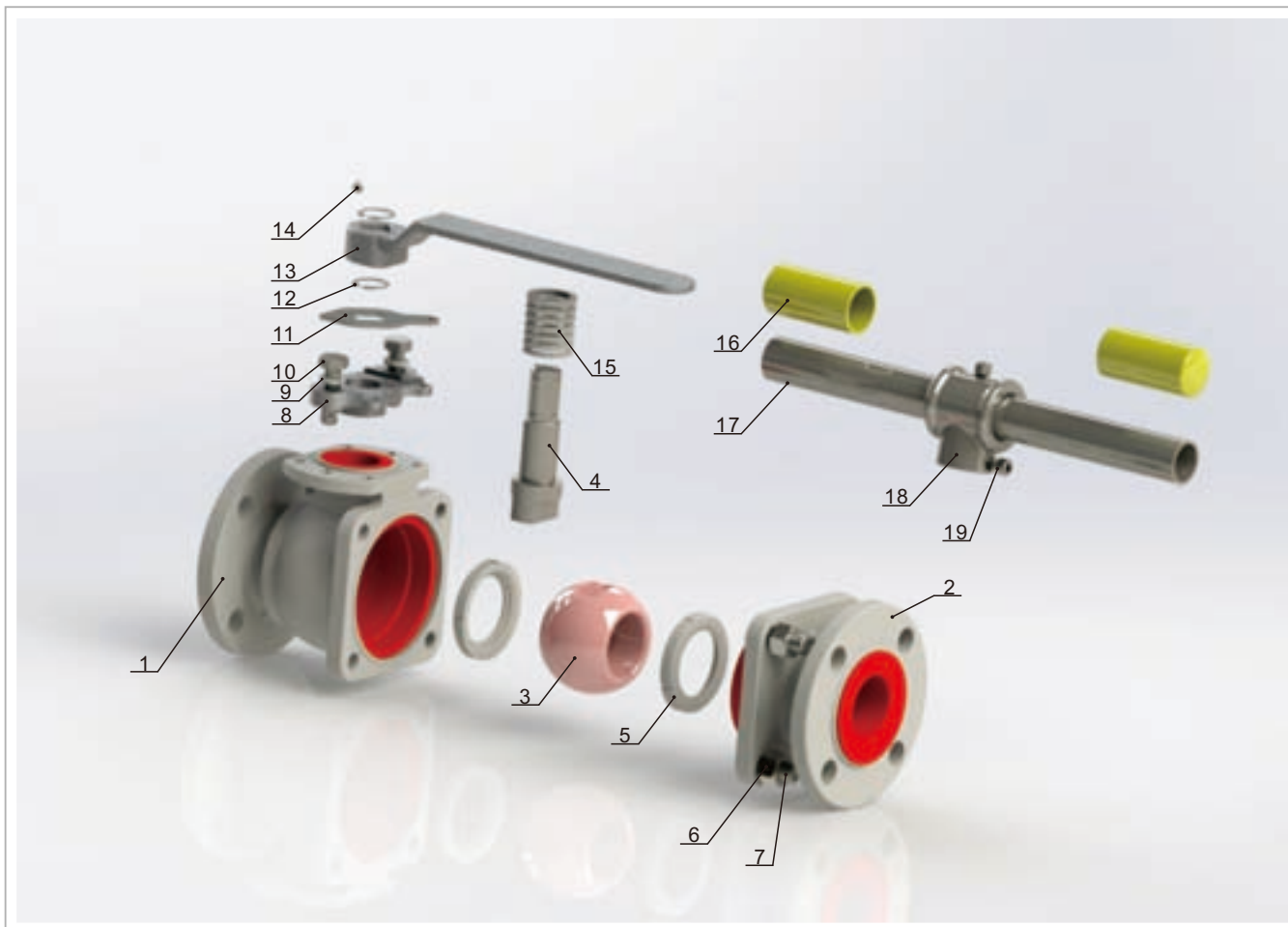


Food



Pharmaceutical

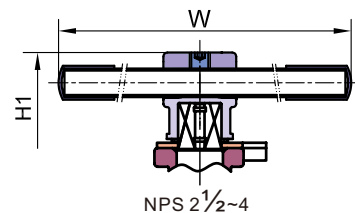
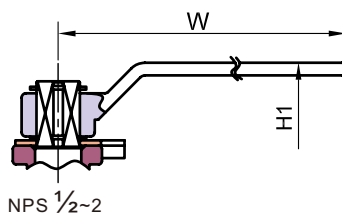
Material of Construction



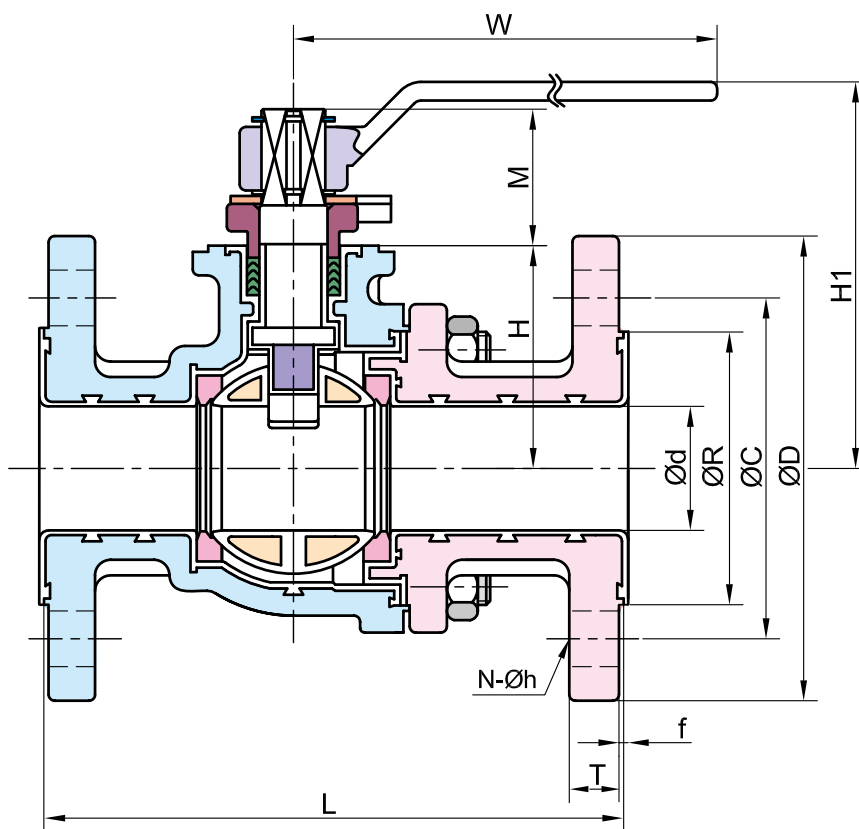
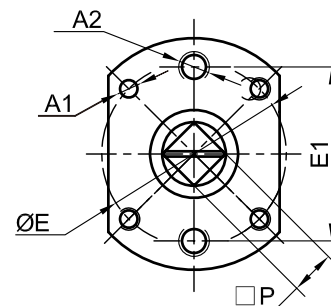
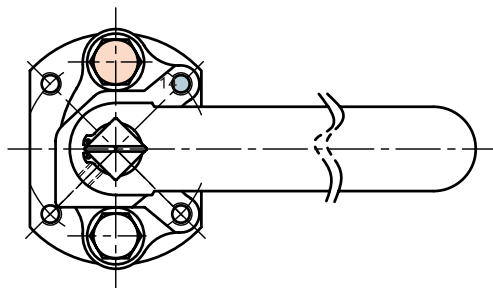
NO.	PART	MATERIAL		
1	Body	A351-CF8M+PFA	A351-CF8+PFA	A216-WCB+PFA
2	End Cap	A351-CF8M+PFA	A351-CF8+PFA	A216-WCB+PFA
3	Ball	A351-CF8M+PFA*	A351-CF8 +PFA*	
4	Stem	F316+PFA	F304+PFA	
5	Ball Seat	PTFE		
6	Bolting	A193-B8		A193-B7
7	Bolt Nut	A194-8		A194-2H
8	Gland	CF8		
9	Flat Washer	304		
10	Hex Bolting	A2-70		
11	Triangle Stopper	304		
12	Snap Ring	304		
13	Handle (NPS 1/2 ~ 2)	CF8		
14	Binding Screw (NPS 1/2 ~ 2)	A2-70		
15	Stem Packing	PTFE		
16	Handle Sleeve (NPS 2 1/2 ~ 4)	VINYL PLASTIC		
17	Steel Pipe (NPS 2 1/2 ~ 4)	A53+ZnPlated		
18	Handle Adapter (NPS 2 1/2 ~ 4)	CF8		
19	Binding Screw (NPS 2 1/2 ~ 4)	A2-70		

Note :* NPS 1/2 and NPS 3/4 Valve balls are made of PFA

- Design Standard : ASME B16.34
- Pressure Rating : CLASS 150
- Wall Thickness : ASME B16.34
- Face to Face : ASME B16.10
- Flanged Ends : ASME B16.5
- Inspection & Testing : API 598



ISO5211

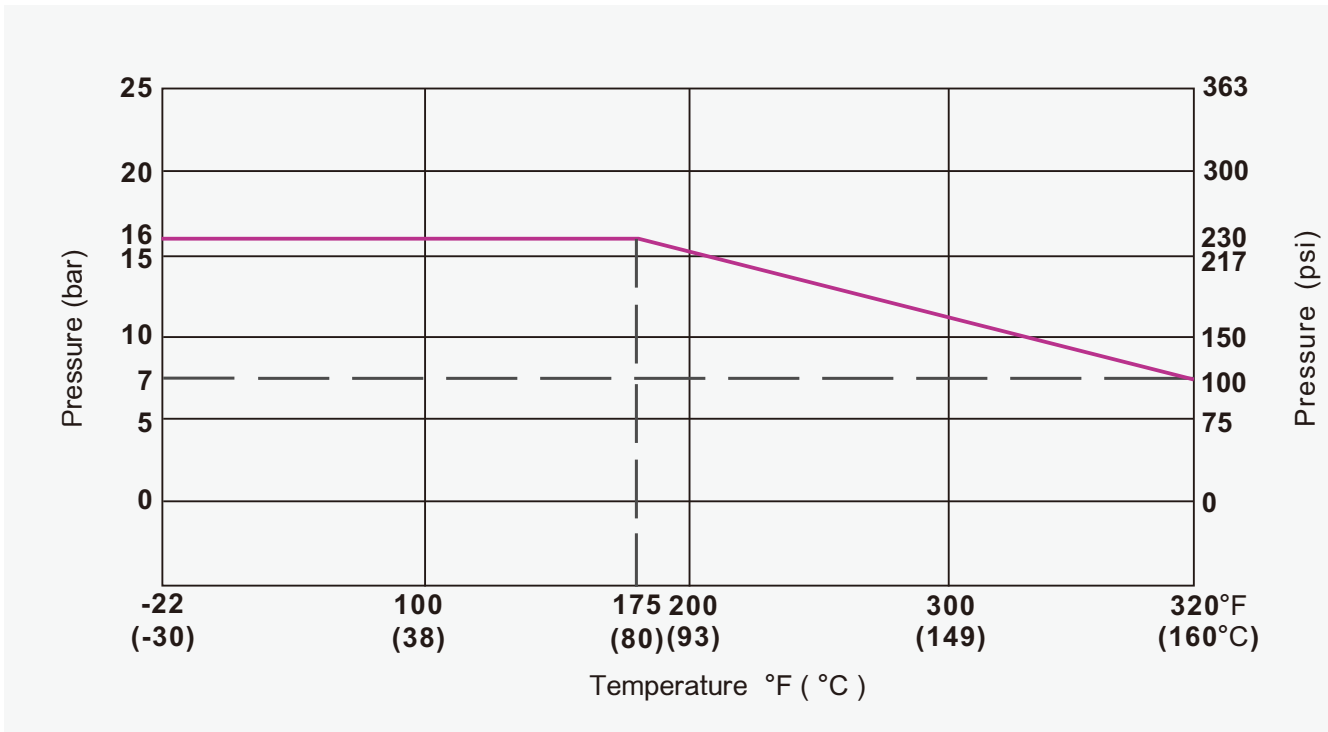


■ ASME Class 150

Unit : in

NPS	d	L	R	D	C	T	f	N	h	H	H1	W	P	M	A1	A2	E	E1	ISO5211
1/2	0.59	4.25	1.38	3.50	2.38	0.31	0.06	4	1/2-13UNC	1.54	3.21	5.12	0.354	0.79	M5	M8	1.65	1.65	F04
3/4	0.79	4.62	1.69	3.88	2.75	0.34	0.06	4	1/2-13UNC	1.81	3.62	5.51	0.433	1.04	M6	M8	1.97	1.97	F05
1	0.98	5.00	2.01	4.25	3.12	0.38	0.06	4	5/8	1.89	3.80	6.69	0.551	1.14	M6	M8	1.97	1.97	F05
1 1/2	1.50	6.50	2.88	5.00	3.88	0.50	0.06	4	5/8	2.76	4.84	9.06	0.669	1.73	M8	M10	2.76	2.60	F07
2	1.97	7.00	3.62	6.00	4.75	0.56	0.06	4	3/4	2.99	5.08	9.06	0.669	1.73	M8	M10	2.76	2.60	F07
2 1/2	2.50	7.50	4.12	7.00	5.50	0.62	0.06	4	3/4	4.09	7.52	11.9	0.866	1.79	M10	M12	4.02	2.95	F10
3	2.99	8.00	5.00	7.50	6.00	0.69	0.06	4	3/4	4.69	8.46	15.9	0.866	1.99	M10	M12	4.02	2.95	F10
4	3.94	9.00	6.19	9.00	7.50	0.88	0.06	8	3/4	5.35	9.25	15.9	1.063	2.20	M10	M12	4.02	4.02	F10

Pressure-Temperature Chart



Cv Value

NPS	1/2	3/4	1	1 1/4	1 1/2	2	2 1/2	3	4
Cv Value	24	35	57	95	200	310	513	800	1650

Torque Figure

NPS		1/2	3/4	1	1 1/4	1 1/2	2	2 1/2	3	4
Differential Pressure	72.5MPa	53.5	71	106.5	142	177	265.5	531	619.5	885
	232MPa	653.5	71	106.5	177	212.5	410	575.5	708	1080

Unit:lb-in

Remarks:

1. The torque figures are maximum values to be tested after the valves are placed for 24 hours
2. For actuator sizing, a safety factor of minimum 30% is recommended.

KI **Kingdom** FLOW CONTROL CO., LTD.

Headquarters (International Dept.)

14F-4, 120, Jhongjheng 1st Rd., Kaohsiung 80284, Taiwan
Tel: +886-7-7713121 Fax: +886-7-7235165
E-mail: sales@kifc.com

Zhongshan Factory

23-1, Nan-hou West Rd., Nan-tou Zhongshan City, Guangdong 528427, China
Tel: +86-760-23132179 23116839 Fax: +86-760-23110582

Fujian Factory

Hengshan Industrial Park, Huangtian Town,
Gutian County, Fujian 352251, China
Tel: +86-593-3761598 Fax: +86-593-3762688



KI-LBV 201706 (1.0A)
©2017 Kingdom Flow Control Co., Ltd.
All rights reserved.

The contents of this publication are presented for information purpose only, and while effort has been made to ensure their accuracy, they are not to be construed as warranties or guarantees, expressed or implied, regarding the products or services described herein or their use or applicability. All sales are governed by our terms and conditions. We reserve the right to modify or improve the designs or specifications of our products at any time without notice. Always verify that you have the most recent product specifications or other documentation prior to the installation of these products.