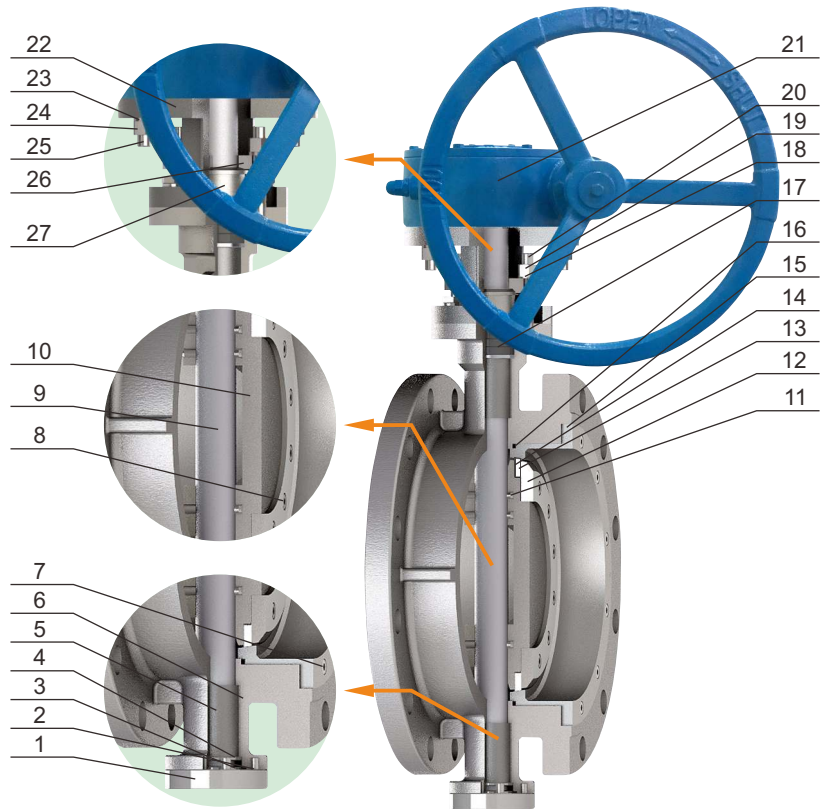


APPLICABLE STANDARDS:

- Design : API 609
- Rating : CLASS 150 - 600
- Face to Face : API 609
- End Flanged : ASME B16.5
- Inspection & Testing : API 598
- Wall Thickness : ASME B16.34
- Temperature : -29°C ~ +425°C

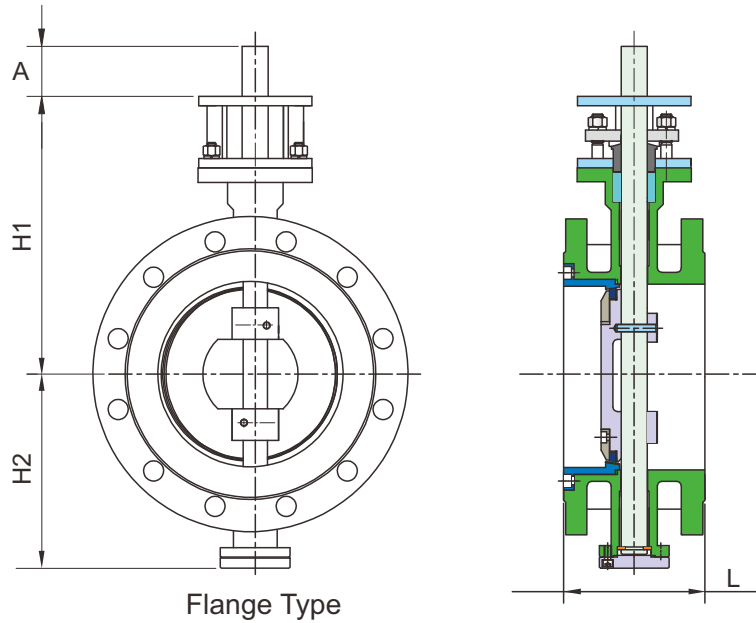
⦿ All other design standards are available on request.



» MATERIAL OF CONSTRUCTION

Item	Component	Carbon Steel	Stainless Steel
1	Bottom End Cap	A105	F304 / F316
2	Bolt	8.8	A2-70
3	Bottom End Cap Gasket	304SS+Grafoil	
4	Split Collar	304	
5	Sleeve	316+QPQ	
6	Body	WCB	CF8 / CF8M
7	Bolt	A2-70	
8	Bolt	A2-70	
9	Stem	17-4PH	
10	Disc	WCB	CF8 / CF8M
11	Pin	329	
12	Disc Pressure Ring	A105	F304 / F316
13	Disc Gasket	304SS+Grafoil	
14	Seal Ring	316 / 17-4PH / 316+STL	
15	Seat	316+STL	
16	Body Gasket	304SS+Grafoil	
17	Stem Packing	Grafoil	
18	Washer	SUS301	
19	Bolting Nut	8	A2-70
20	Bolt	8.8	A2-70
21	Gearbox	Molectron	
22	Yoke	WCB	
23	Washer	SUS301	
24	Bolting Nut	8	A2-70
25	Bolt	8.8	A2-70
26	Gland Flange	WCB	CF8 / CF8M
27	Gland	A105	F304 / F316

Dimensions and Weight



Unit : mm

SIZE	Flange type ASME CL. 150 (KB-MS341)					Flange type ASME CL. 300 (KB-MS342)				
inch	H1	H2	A	L	Weight (kg)	H1	H2	A	L	Weight (kg)
3"	260	125	36	114	22	260	125	36	114	22
4"	290	141	36	127	28	290	141	36	127	33
6"	330	155	40	140	40	330	189	40	140	61
8"	385	214	40	152	61	415	236	56	152	86
10"	425	243	40	165	83	455	272	56	165	100
12"	490	286	56	178	127	490	310	80	178	175
14"	525	312	56	190	156	545	335	80	190	284
16"	545	350	80	216	138	575	389	140	216	340
18"	580	383	80	222	229	660	422	140	222	487
20"	580	414	80	229	311	700	462	140	229	529
24"	690	484	140	267	433	785	531	160	267	834
28"	795	556	140	292	732	880	617	160	292	1382
30"	865	611	160	318	848	1000	671	180	318	1595
32"	865	611	160	318	1015	1000	671	180	318	1805
36"	1000	736	160	330	1495	1150	801	200	330	2215
40"	1130	801	180	410	2035	1150	801	200	410	2270
42"	1130	801	180	410	2155	1215	900	250	410	2756
48"	1267	866	200	470	3045	1300	991	280	470	3400

SIZE	Flange type ASME CL. 600 (KB-MS343)				
inch	H1	H2	A	L	Weight (kg)
3"	234	136	40	180	32
4"	298	185	40	190	66
6"	355	238	56	210	121
8"	405	263	80	230	198
10"	485	328	140	250	298
12"	538	365	140	270	378
14"	610	390	140	290	445
16"	680	440	160	310	670
18"	683	460	160	330	750
20"	795	526	200	350	1000
24"	885	623	200	390	1452