

Design Features

ISO 5211 Mounting Pad for easy automation

Multi-sealing structure provide tight sealing and long life cycle. ISO 15848-1 low emission test certified packing available upon request.

Anti-Static Devices

Blow-out proof stem

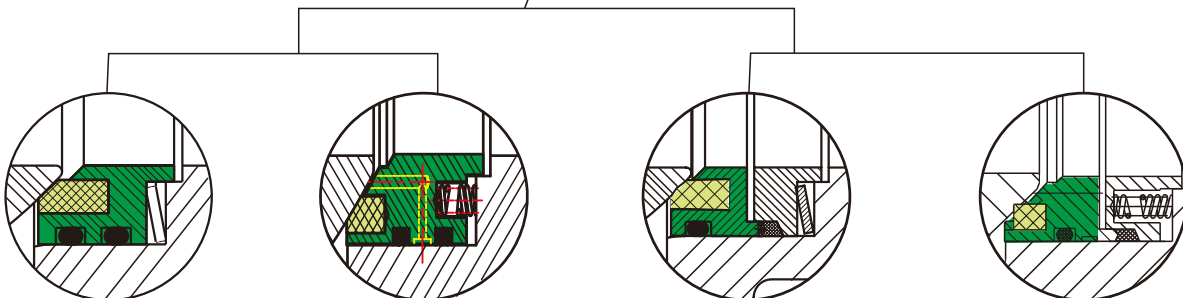
Spring Loaded Seat & Body Gaskets structure secure reliable sealing at low line pressure

Drain design for easy cleaning on pipeline

Fire Safe Design. When soft seals are burned, springs press the seats to the ball to perform a tight seal and to prevent fire expansion.

Seat Sealant System Injection

Grafoil Spiral Wound with SS 316 gaskets and stainless steel filled PTFE Seal Ring can apply to higher temperature range



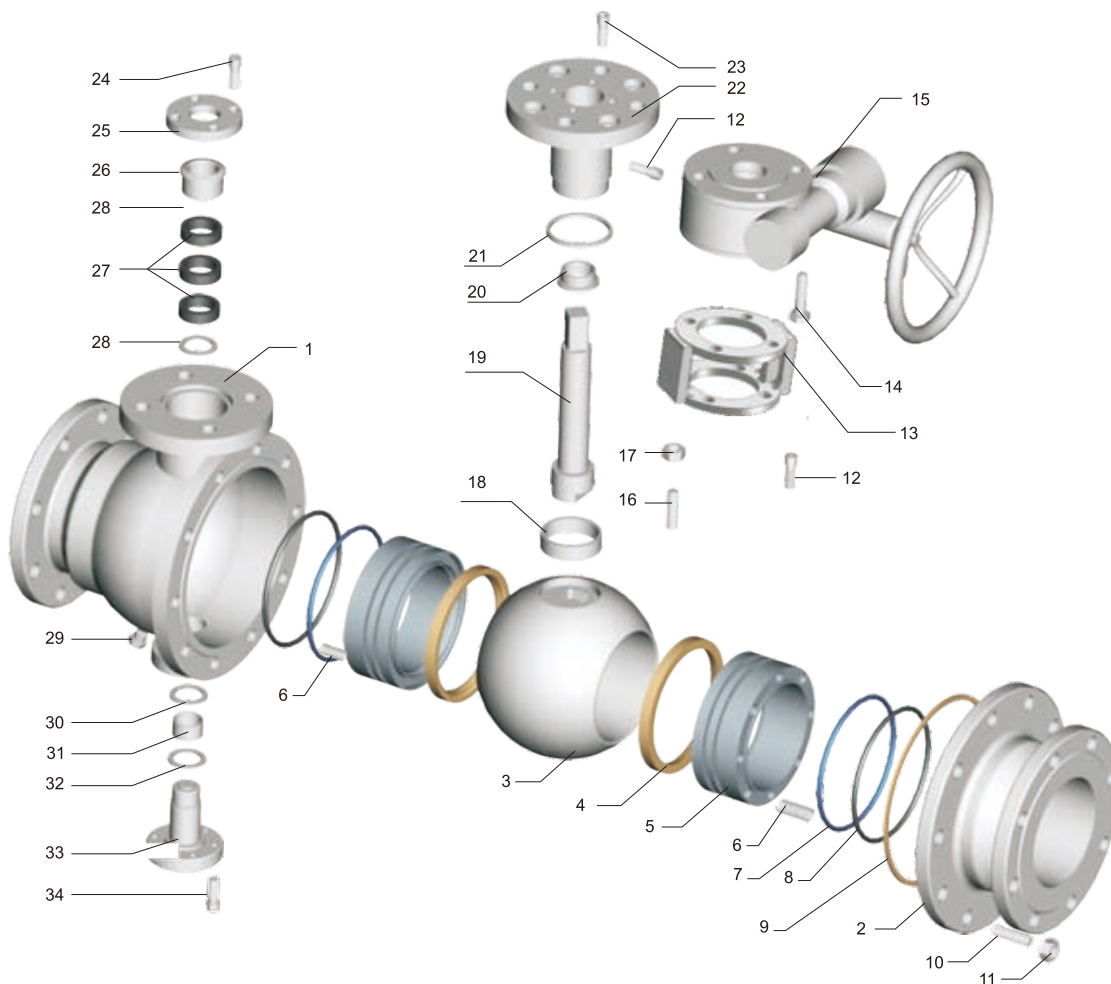
6" ~ 8"
(Standard)

10" ~ 24"
(Standard)

6" ~ 8"
(Optional, Firesafe type)

10" ~ 24"

Split-Body Trunnion Mounted Ball Valves

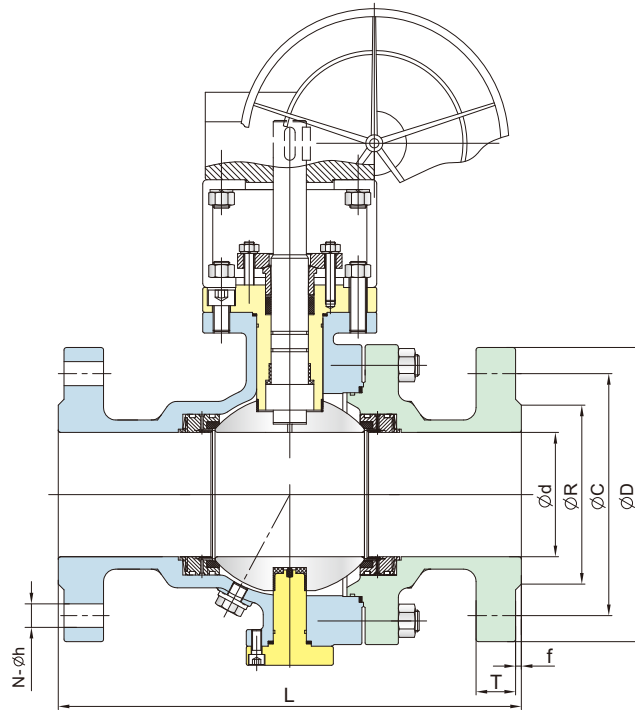


NO	PART NAME	MATERIALS			
1	Body	A351-CF8M	A351-CF8	A216-WCB	Other Alloy Steels
2	Body Cap	A351-CF8M	A351-CF8	A216-WCB	Other Alloy Steels
3	Ball	A182-F316		A182-F304	
4	Seat Seal		TFM1600 / PTFE / PEEK		
5	Seat	A182-F316		A182-F304	
6	Spring	SUS631 / INCONEL X-750	SUS631 / INCONEL X-750		SUS631
7	O-ring		FKM / SILICON		
8	Sealing Ring		GRAFOIL* / FKM		
9	Body Gasket	316 SPIRAL WOUND + GRAFOIL* / PTFE		304 SPIRAL WOUND + GRAFOIL* / PTFE	
10	Stud	A193-B8			A193-B7
11	Hexagon Nut	A194-8			A194-2H
12	Injection Sealing		SUS316		
13	Yoke		A216-WCB		
14	Hexagon Bolt	A193-B8			A193-B7
15	Worm Gear		Assembly		
16	Stud Bolt	A193-B8			A193-B7
17	Hexagon Nut	A194-8			A194-2H
18	Wear Sleeve		50%SS+50%PTFE		
19	Stem	A182-F316			A182-F304
20	Stem Sleeve		50%SS+50%PTFE		
21	Mid. Flange Gasket	316 SPIRAL WOUND + GRAFOIL* / PTFE		304 SPIRAL WOUND + GRAFOIL* / PTFE	
22	Mid. Flange	A351-CF8M	A351-CF8		A216-WCB
23	Hexagon Socket Cap Head Screw		A193-B8		A193-B7
24	Hexagon Socket Cap Head Screw		A193-B8		A193-B7
25	Packing Plate		A351-CF8M		A216-WCB
26	Gland	A351-CF8M			A351-CF8
27	Stem Packing		GRAFOIL* / PTFE		
28	Packing Gasket		316		
29	Drain Plug	316			304
30	Bottom End Cap Wear Bushing		50%SS+50%PTFE		
31	Bottom End Cap Sleeve		50%SS+50%PTFE		
32	Bottom End Cap Seal Ring	316 SPIRAL WOUND + GRAFOIL* / PTFE		304 SPIRAL WOUND + GRAFOIL* / PTFE	
33	Bottom End Cap	A182-F316			A182-F304
34	Hexagon Socket Cap Head Screw		A193-B8		A193-B7

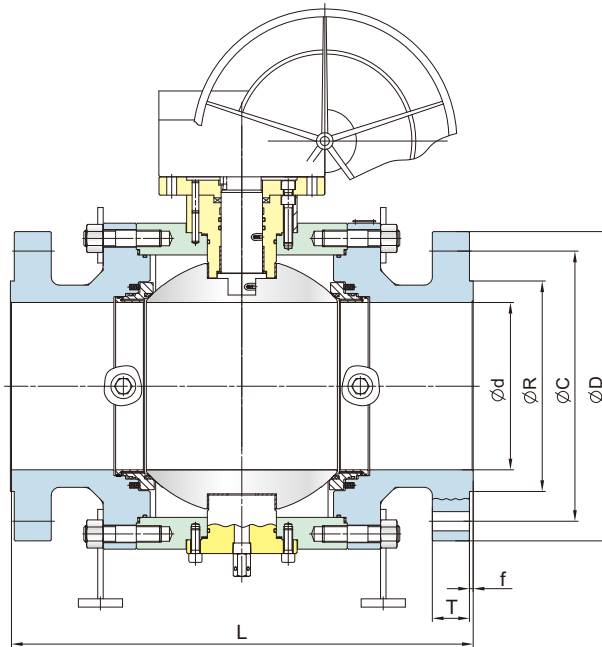
★ Materials for higher temperature & firesafe applications.

ASME CLASS 600
Split-Body, Full Port, Flanged Ends

KV-F43
KV-F63 (Fire Safe Type)



NPS 6 ~ 12 (2-PC Body)



NPS 14 (3-PC Body)

ASME Class 600

KV-F43, KV-F63

Unit: mm

Size	d	L	R	C	D	f	T	N	h	ISO 5211 on Valve
6"	150	559	215.9	292.1	355	7	47.7	12	28.5	F16
8"	201	660	269.9	349.2	420	7	55.6	12	31.8	F16
10"	252	787	323.8	431.8	510	7	63.5	16	35.1	F25
12"	303	838	381.0	489.0	560	7	66.7	20	35.1	F25
14"	334	889	412.8	527.0	605	7	69.9	20	38.5	F30