

Design Features

ISO 5211 Mounting Pad for easy automation

Multi-sealing structure provide tight sealing and long life cycle

Anti-Static Devices

Blow-out proof stem

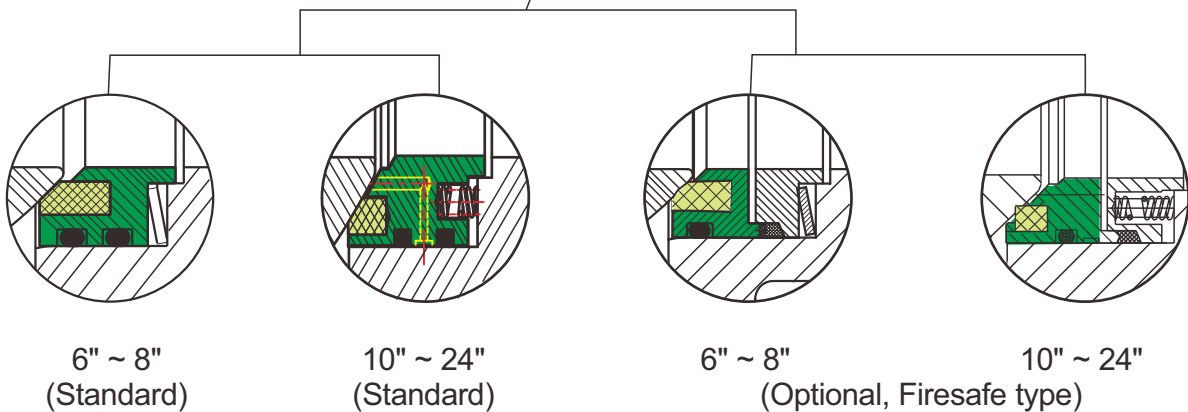
Spring Loaded Seat & Body Gaskets structure secure reliable sealing at low line pressure

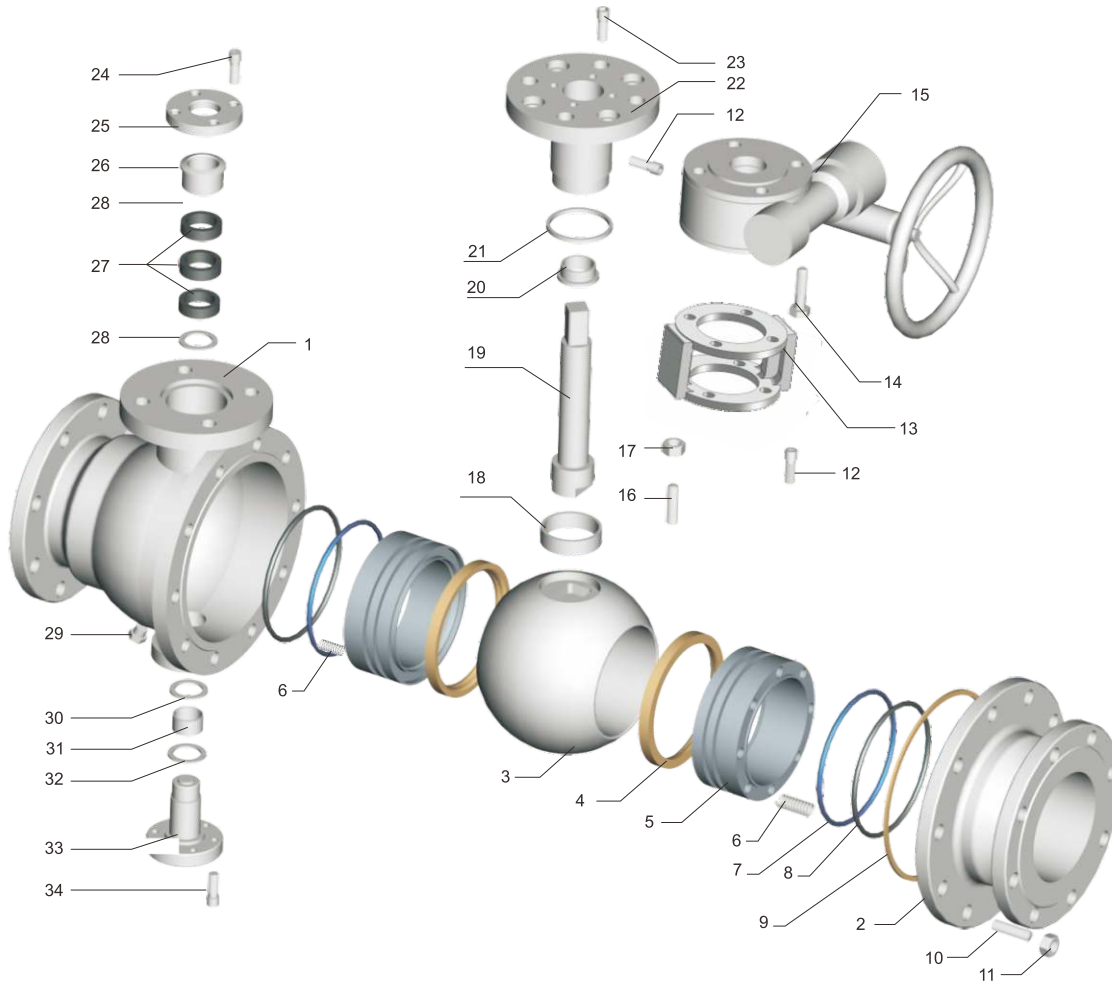
Drain design for easy cleaning on pipeline

Fire Safe Design. When soft seals are burned, springs press the seats to the ball to perform a tight seal and to prevent fire expansion.

Seat Sealant System Injection

Grafoil Spiral Wound with SS 316 gaskets and stainless steel filled PTFE Seal Ring can apply to higher temperature range



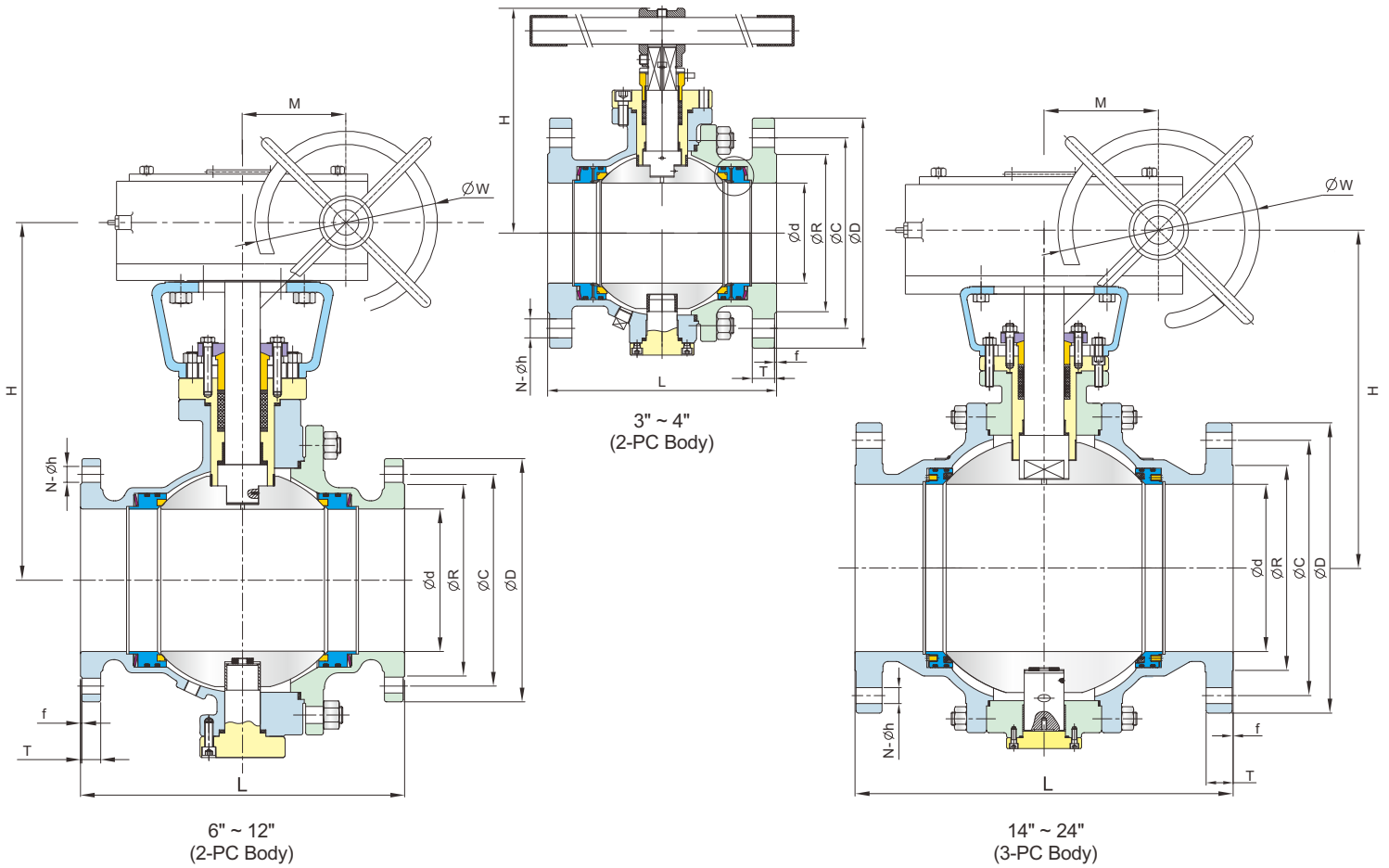


NO	PART NAME	MATERIALS			
1	Body	A351-CF8M	A351-CF8	A216-WCB	Other Alloy Steels
2	Body Cap	A351-CF8M	A351-CF8	A216-WCB	Other Alloy Steels
3	Ball	A182-F316		A182-F304	
4	Seat Seal		TFM1600 / PTFE / PEEK		
5	Seat	A182-F316		A182-F304	
6	Spring	SUS631 / INCONEL X-750	SUS631 / INCONEL X-750		SUS631
7	O-ring		FKM / SILICON		
8	Sealing Ring		GRAFOIL* / FKM		
9	Body Gasket	316 SPIRAL WOUND + GRAFOIL* / PTFE		304 SPIRAL WOUND + GRAFOIL* / PTFE	
10	Stud	A193-B8			A193-B7
11	Hexagon Nut	A194-8			A194-2H
12	Injection Sealing		SUS316		
13	Yoke		A216-WCB		
14	Hexagon Bolt	A193-B8			A193-B7
15	Worm Gear		Package		
16	Stud Bolt	A193-B8			A193-B7
17	Hexagon Nut	A194-8			A194-2H
18	Wear Sleeve		50%SS+50%PTFE		
19	Stem	A182-F316			A182-F304
20	Stem Sleeve		50%SS+50%PTFE		
21	Mid. Flange Gasket	316 SPIRAL WOUND + GRAFOIL* / PTFE		304 SPIRAL WOUND + GRAFOIL* / PTFE	
22	Mid. Flange	A351-CF8M	A351-CF8		A216-WCB
23	Hexagon Socket Cap Head Screw		A193-B8		A193-B7
24	Hexagon Socket Cap Head Screw		A193-B8		A193-B7
25	Packing Plate	A351-CF8M	A351-CF8M		A216-WCB
26	Gland	A351-CF8M			A351-CF8
27	Stem Packing		GRAFOIL* / PTFE		
28	Packing Gasket		316		
29	Drain Plug	316			304
30	Bottom End Cap Wear Bushing		50%SS+50%PTFE		
31	Bottom End Cap Sleeve		50%SS+50%PTFE		
32	Bottom End Cap Seal Ring	316 SPIRAL WOUND + GRAFOIL* / PTFE		304 SPIRAL WOUND + GRAFOIL* / PTFE	
33	Bottom End Cap	A182-F316			A182-F304
34	Hexagon Socket Cap Head Screw		A193-B8		A193-B7

★ Materials for higher temperature & firesafe applications.

**ASME CLASS 150/300
Split-Body, Full Port, Flanged Ends**

KV-F41, KV-F42
KV-F61, KV-F62 (Fire Safe Type)



ASME Class 150

KV-F41, KV-F61

Unit: mm

Size	∅d	L	∅R	∅C	∅D	f	T	N	∅h	H	W	M	ISO 5211 on Valve
3"	76	203	127.0	152.4	190	2	17.5	4	19.0	199	—	—	—
4"	100	229	157.2	190.5	230	2	22.3	8	19.0	225	—	—	—
6"	150	394	215.9	241.3	280	2	23.9	8	22.3	420	400	105	F16
8"	201	457	269.9	298.5	345	2	27.0	8	22.3	485	400	105	F16
10"	252	533	323.8	362.0	405	2	28.6	12	25.4	500	500	120	F16
12"	303	610	381.0	431.8	485	2	30.2	12	25.4	540	500	126	F25
14"	334	686	412.8	476.3	535	2	33.4	12	28.6	630	500	126	F25
16"	385	762	469.9	539.8	595	2	35.0	16	28.6	680	710	126	F25
18"	436	864	533.4	577.9	635	2	38.1	16	31.8	720	710	138	F25
20"	487	914	584.2	635.0	700	2	41.3	20	31.8	760	710	138	F30
24"	589	1067	692.2	749.3	815	2	46.1	20	35.1	890	710	138	F30

ASME Class 300

KV-F42, KV-F62

Unit: mm

Size	∅d	L	∅R	∅C	∅D	f	T	N	∅h	H	W	M	ISO 5211 on Valve
6"	150	403	215.9	269.9	320	2	35.0	12	22.3	420	400	105	F16
8"	201	502	269.9	330.2	380	2	39.7	12	25.4	485	500	120	F16
10"	252	568	323.8	387.4	445	2	46.1	16	28.6	500	500	120	F16
12"	303	648	381.0	450.8	520	2	49.3	16	31.8	540	500	126	F25
14"	334	762	412.8	514.4	585	2	52.4	20	31.8	630	710	138	F25
16"	385	838	469.9	571.5	650	2	55.6	20	35.1	680	710	138	F25
18"	436	914	533.4	628.6	710	2	58.8	24	35.1	720	710	138	F25
20"	487	991	584.2	685.8	775	2	62.0	24	35.1	760	710	138	F30
24"	589	1143	692.2	812.8	915	2	68.3	24	41.4	890	800	150	F30