

**ASME CLASS 150/300**  
**1-PC Body, Steam Jacket, Flanged Ends, Full Port**

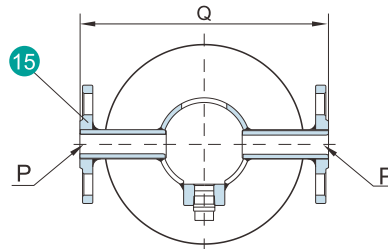
KV-JT41, KV-JT42 (Standard Type)  
KV-JT61, KV-JT62 (Fire Safe Type)

**DESIGN FEATURES:**

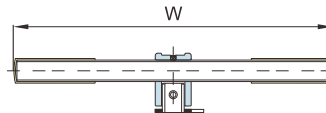
- **Fire Safe** Design
- Jacket Design Makes that Steam or Warm Water Flow over Valve Ball & Body Parts Keep the Media Liquid
- Allowable Maximum Pressure of Steam or Warm Water up to 1.0 Mpa
- Double Stem Sealing
- Blow-Out Proof and Anti-Static Stem

**APPLICABLE STANDARDS:**

- Design : ASME 16.34
- Face to Face : ASME B16.10
- Flanged Ends : ASME B16.5
- Inspection & Testing : API 598



P: Inlet & Outlet  
S: Drain

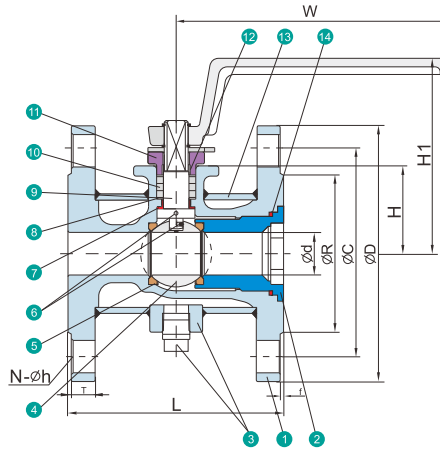


3"/5" ~ 4"/6"

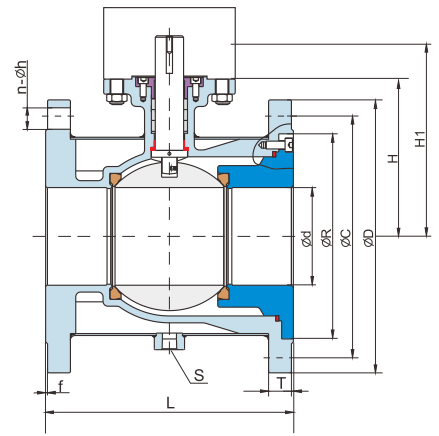


NO.	PART NAME	MATERIALS	
1	Body	CF8M	CF8
2	Cap	CF8M	CF8
3	Drain	316	304
4	Ball	CF8M	CF8
5	Ball Seat	TFM1600/PTFE/RTFE	
6	Anti-static Device	316	304
7	Thrust Washer	PTFE	
8	Bushing	304	
9	Stem	316	304
10	Stem Packing	PTFE/GRAFOIL*	
11	Yoke	304	
12	Stem Jacket	PTFE	
13	Jacket	316	304
14	Body Gasket	PTFE/GRAFOIL*	
15	Inlet & Outlet	CF8M	CF8

\*Materials for KV-JT61, KV-JT62 (Fire-Safe Models)



1/2" / 1-1/2" ~ 2-1/2" / 4"



5/8" ~ 8"/12"

■ **ASME CLASS 150**

**KV-JT41, KV-JT61**

Unit: mm

Valve Size	Flange Size	d	L	R	D	C	f	T	H	H1	N	h	W	Q	S	ISO 5211	P
1/2"	1-1/2"	15	108	73.2	125	98.4	2	12.7	43.0	100	4	16.0	135	181	RC3/8"	F04	1/2"
3/4"	1-1/2"	20	117	73.2	125	98.4	2	12.7	46.0	110	4	16.0	135	181	RC3/8"	F04	1/2"
1"	2"	25	127	92.0	150	120.7	2	14.3	51.5	121	4	19.0	160	187	RC3/8"	F05	1/2"
1-1/4"	2"	32	140	92.0	150	120.7	2	14.3	58.0	127	4	19.0	160	187	RC3/8"	F05	1/2"
1-1/2"	2-1/2"	38	165	104.7	180	139.7	2	15.9	70.0	138	4	19.0	200	220	RC3/8"	F07	1/2"
1-1/2"	3"	38	165	127.0	190	152.4	2	17.5	70.0	138	4	19.0	200	220	RC3/8"	F07	1/2"
2"	3"	50	178	127.0	190	152.4	2	17.5	77.3	145	4	19.0	230	232	RC3/8"	F07	1/2"
2-1/2"	4"	64	190	157.2	230	190.5	2	22.3	98.0	186	8	19.0	300	250	RC3/8"	F10	1"
3"	5"	76	229	186.0	255	215.9	2	22.3	113.0	201	8	22.3	300	284	RC3/8"	F10	1"
3"	6"	76	229	216.0	280	241.3	2	23.9	113.0	201	8	22.3	300	284	RC3/8"	F10	1"
4"	6"	100	254	216.0	280	241.3	2	23.9	150.0	246	8	22.3	400	332	RC3/8"	F10	1"
6"	8"	150	394	270.0	345	298.5	2	27.0	204.0	251	8	22.3	—	400	RC1/2"	F12	1"
8"	14"	200	457	412.8	535	476.3	2	33.4	257.0	300	12	28.5	—	520	RC1/2"	F14	1"

■ **ASME CLASS 300**

**KV-JT42, KV-JT62**

Unit: mm

Valve Size	Flange Size	d	L	R	D	C	f	T	H	H1	N	h	W	Q	S	ISO 5211	P
1/2"	1-1/2"	15	140	73.2	155	114.3	2	19.1	43.0	100	4	22.3	135	185	RC3/8"	F04	1/2"
3/4"	1-1/2"	20	152	73.2	155	114.3	2	19.1	46.5	110	4	22.3	135	185	RC3/8"	F04	1/2"
1"	2"	25	165	92.0	165	127.0	2	20.7	51.5	121	8	19.0	160	195	RC3/8"	F05	1/2"
1-1/4"	2"	32	178	92.0	165	127.0	2	20.7	58.0	127	8	19.0	160	195	RC3/8"	F05	1/2"
1-1/2"	2-1/2"	38	190	104.7	190	149.2	2	23.9	69.0	138	8	22.3	200	225	RC3/8"	F07	1/2"
2"	3"	50	216	127.0	210	168.3	2	27.0	77.3	145	8	22.2	230	248	RC3/8"	F07	1/2"
2-1/2"	4"	64	241	157.2	255	200.0	2	30.2	98.0	186	8	22.2	300	268	RC3/8"	F10	1"
3"	5"	76	282	186.0	280	235.0	2	33.4	113.0	201	8	22.3	300	334	RC3/8"	F10	1"
4"	6"	100	305	216.0	320	269.9	2	35.0	150.0	246	12	22.3	400	375	RC3/8"	F10	1"
6"	8"	150	403	283.6	380	330.2	2	39.7	204.0	251	12	25.4	—	412	RC1/2"	F12	1"
8"	14"	200	502	412.8	585	514.4	2	52.4	257.0	300	20	31.8	—	520	RC1/2"	F14	1"