

3-PC Body Sanitary Ball Valves Full Port, 400 WOG, BW/Clamp Ends

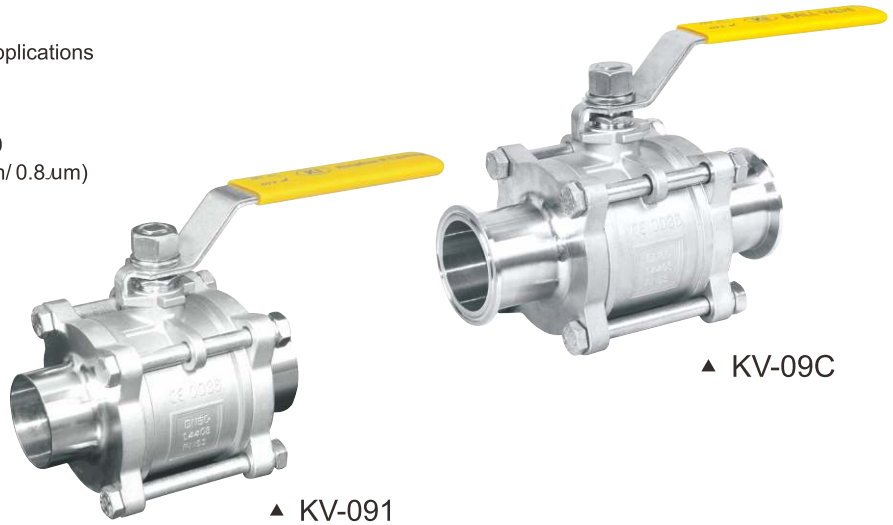
KV-09C/A, KV-09C/B
KV-091/A, KV-091/B

FEATURES:

- For Food, Dairy and General Chemical Service Applications
- Blow-out Proof Stem
- Cavity Filled Seat Design
- Castings Approved by TÜV AD 2000-Merkllate W0
- Internal Polished Body and Ball Surface (Ra 32.µin/ 0.8µm)

STANDARDS:

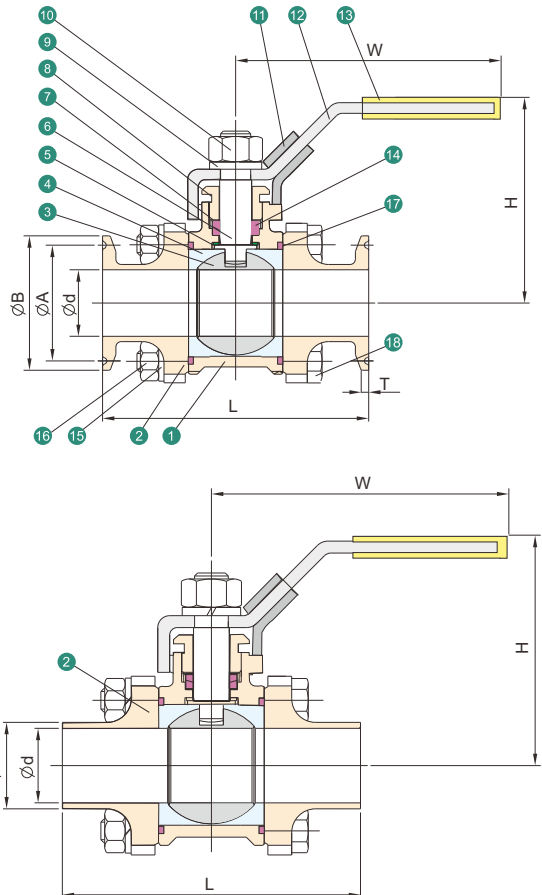
- Design: MSS SP-110
- KV-09C/A(Clamp Ends): ASME BPE
- KV-09C/B (Clamp Ends): BS 4825
- KV-091/A(Butt Weld Ends): ASME BPE
- KV-091/B(Butt Weld Ends): BS 4825
- Inspection & Testing: MSS SP-110



SPECIFICATIONS:

- Working Pressure: 400 WOG (25Bar) at 38°C (100°F)
- Temperature Range: -29°C to 200°C (-20°F to 392 °F)

NO.	PART NAME	MATERIALS		
1	Body	CF3M	CF8M	CF8
2	Cap (Clamp)	CF3M	CF8M	CF8
	Cap (Welding)	CF3M	CF3M	CF3
3	Ball	CF3M	CF8M	CF8
4	Ball Seat	PTFE / TFM 1600		
5	Thrust Washer	PTFE		
6	Stem	316L	316	304
7	Bushing	304		
8	Gland Nut	304		
9	Stem Washer	304		
10	Stem Nut	A194-8		
11	Locking Device	304		
12	Handle	304		
13	Handle Sleeve	Vinyl Plastic		
14	V-Ring Packing	PTFE		
15	Bolt Washer	304		
16	Nut	A194-8 / A2-70		
17	Body Gasket	PTFE		
18	Bolt	A193-B8 / A2-70		



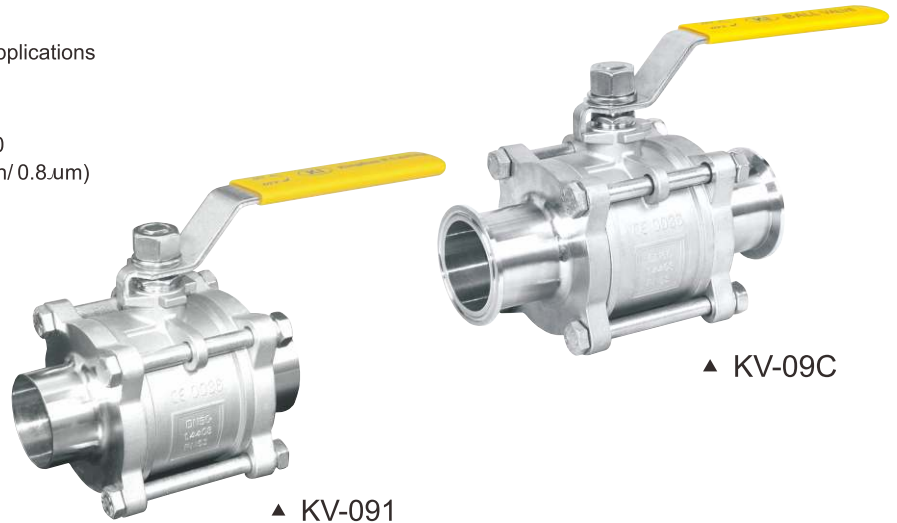
DIMENSIONS		BS 4825 & ASME BPE							Unit: mm	
SIZE	DN	d	A	B	D	T	L	W	H	
1/2"	15	10.7	27.5	34.0	12.7	2.85	90	100.0	58.9	
3/4"	20	15.2	27.5	34.0	17.2	2.85	90	129.0	64.0	
1"	25	22.6	43.5	50.5	25.0	2.85	100	156.0	77.0	
1-1/4"	32	31.3	43.5	50.5	33.7	2.85	110	156.0	81.0	
1-1/2"	40	35.6	43.5	50.5	38.0	2.85	125	182.5	94.0	
2"	50	48.6	56.5	64.0	51.0	2.85	150	182.5	104.5	
2-1/2"	65	60.3	70.5	77.5	63.5	2.85	190	252.0	131.0	
3"	80	72.9	83.5	91.0	76.1	2.85	220	252.0	139.0	

FEATURES:

- For Food, Dairy and General Chemical Service Applications
- Blow-out Proof Stem
- Cavity Filled Seat Design
- Castings Approved by TÜV AD 2000-Merkllate W0
- Internal Polished Body and Ball Surface (Ra 32.µin/ 0.8.µm)

STANDARDS:

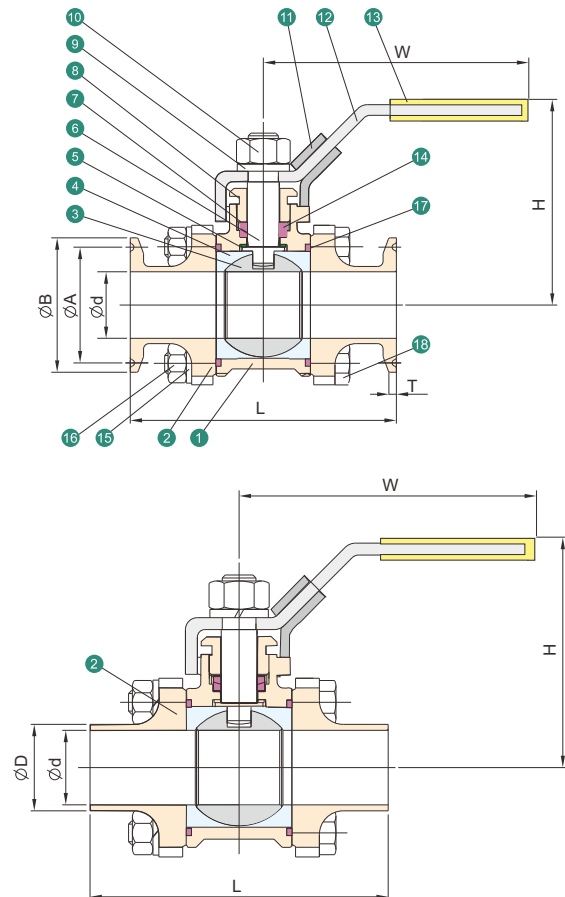
- Design: MSS SP-110
- KV-09C/I (Clamp Ends): ISO 2852
- KV-09C/D (Clamp Ends): DIN 32676
- KV-091/I (Butt Weld Ends): ISO 2037
- KV-091/D (Butt Weld Ends): DIN 11850
- Inspection & Testing: MSS SP-110



SPECIFICATIONS:

- Working Pressure: 400 WOG (25Bar) at 38°C (100°F)
- Temperature Range: -29°C to 200°C (-20°F to 392 °F)

NO.	PART NAME	MATERIALS		
1	Body	CF3M	CF8M	CF8
2	Cap (Clamp)	CF3M	CF8M	CF8
	Cap (Welding)	CF3M	CF3M	CF3
3	Ball	CF3M	CF8M	CF8
4	Ball Seat	PTFE / TFM 1600		
5	Thrust Washer	PTFE		
6	Stem	316L	316	304
7	Bushing	304		
8	Gland Nut	304		
9	Stem Washer	304		
10	Stem Nut	A194-8		
11	Locking Device	304		
12	Handle	304		
13	Handle Sleeve	Vinyl Plastic		
14	V-Ring Packing	PTFE		
15	Bolt Washer	304		
16	Nut	A194-8 / A2-70		
17	Body Gasket	PTFE		
18	Bolt	A193-B8 / A2-70		



DIMENSIONS		ISO 2852 & ISO 2037							DIN 11850 & DIN 32676							Unit: mm		
SIZE	DN	d	A	B	C	D	T	d	A	B	C	D	T	L	W	H		
1/2"	15	10.7	27.5	34.0	10.7	12.7	2.85	10.7	27.5	34.0	16.0	19.0	2.85	90	100.0	58.9		
3/4"	20	15.2	27.5	34.0	15.2	17.2	2.85	15.2	27.5	34.0	20.0	23.0	2.85	90	129.0	64.0		
1"	25	22.6	43.5	50.5	22.6	25.0	2.85	22.6	43.5	50.5	26.0	29.0	2.85	100	156.0	77.0		
1-1/4"	32	31.3	43.5	50.5	31.3	33.7	2.85	31.3	43.5	50.5	32.0	35.0	2.85	110	156.0	81.0		
1-1/2"	40	35.6	43.5	50.5	35.6	38.0	2.85	35.6	43.5	50.5	38.0	41.0	2.85	125	182.5	94.0		
2"	50	48.6	56.5	64.0	48.6	51.0	2.85	48.6	56.5	64.0	50.0	53.5	2.85	150	182.5	104.5		
2-1/2"	65	60.3	70.5	77.5	60.3	63.5	2.85	60.3	83.5	91.0	66.0	71.5	2.85	190	252.0	131.0		
3"	80	72.9	83.5	91.0	72.9	76.1	2.85	72.9	97.0	106.0	81.0	87.0	2.85	220	252.0	139.0		