


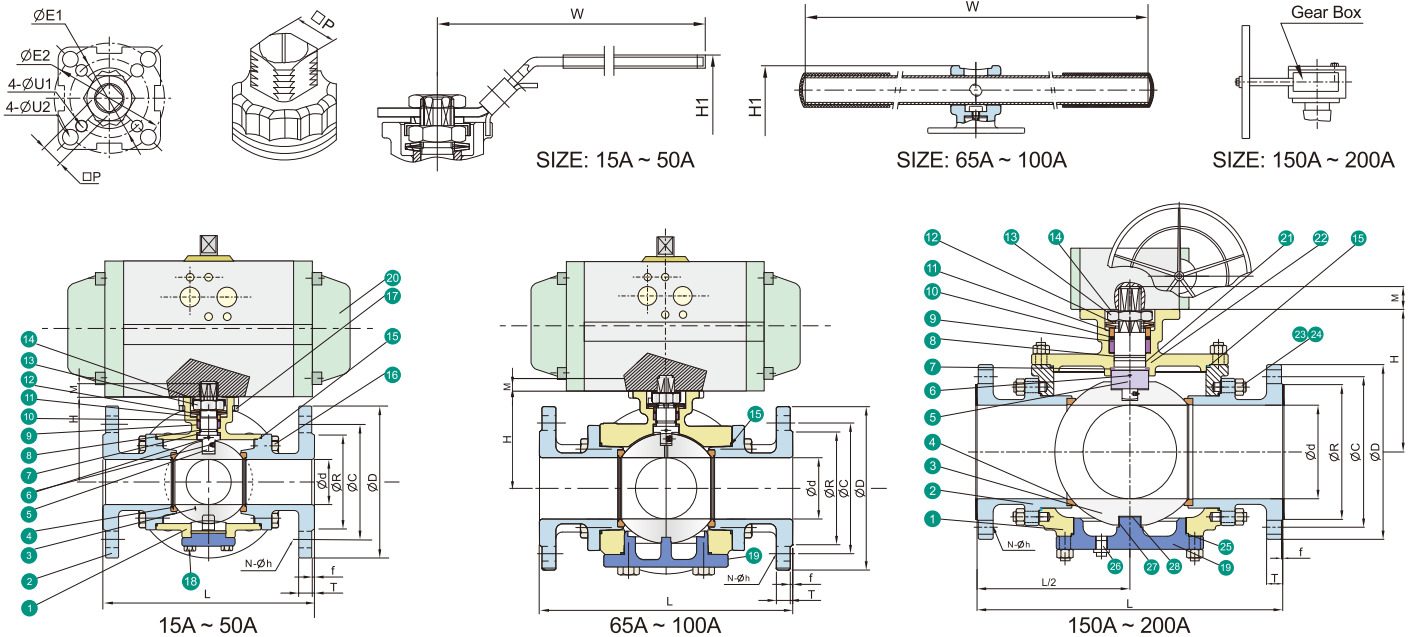
FEATURES:

- Built-in ISO 5211 Direct Mounting Pad for Easy Automation
-  Anti-Static Devices for Ball-Stem-Body
- Blow-out Proof Stem
- **TA-LUFT** Design Approved
- Top Entry For 125A~200A
- Positive Position Location At 90° Increments
- Locking in Every 90° Increments
- KV-L5A/L : L-Port KV-L5A/T : T-Port
- Options: 1. Actuator 2. Limit Switch 3. Positioner

APPLICABLE STANDARDS:

- Design: ASME B16.34
- Flanged Ends : JIS B2220
- Wall Thickness: ASME B16.34
- Inspection & Testing: JIS B2003, API 598

NO.	PART NAME	MATERIALS		
		SCS14A	SCS13A	SCPH2
1	Body	SCS14A	SCS13A	SCPH2
2	Cap	SCS14A	SCS13A	SCPH2
3	Ball	SCS14A	SCS13A	
4	Ball Seat	TFM1600 / PTFE		
5	Stem	316	304	
6	Anti-Static Device	316	304	
7	Thrust Washer	PTFE		
8	O-Ring	FKM		
9	Stem Packing	PTFE / GRAPHITE		
10	Bushing	50%SS+50%PTFE / 304		
11	Gland	316		
12	Belleville Washer	301		
13	Stem Nut	A194-8		
14	Stop-lock-cap	304		
15	Body Gasket (1)	PTFE / GRAPHITE		
16	Bolt	A2-70	8.8	
17	End Cap	SCS14A	SCS13A	SCPH2
18	Hex Bolting	A2-70	8.8	
19	Bottom Cap	SCS14A	SCS13A	SCPH2
20	Actuator	Pneumatic KP / Electric KQ		
21	Stem Sleeve	50%SS+50%PTFE		
22	Cap(1)	SCS14A	SCS13A	SCPH2
23	Nut	A2-70	8	
24	Bolt	A2-70	8.8	
25	Body Gasket (2)	PTFE / GRAPHITE		
26	Plug	SCS14A	SCS13A	
27	Bushing	50%SS+50%PTFE		
28	Washer	50%SS+50%PTFE		



■ JIS 10K DIMENSION TABLE

SIZE	d	L	R	D	C	T	f	N	h	H	H1	W	M	P	U1	U2	E1	E2	ISO 5211
15A	15	150	51	95	70	12	1	4	16	53	83.3	147	9.0	9	6	6	36	42	F03-F04
20A	20	165	56	100	75	14	1	4	16	57	87.0	147	9.0	9	6	7	36	50	F03-F05
25A	25	181	67	125	90	14	1	4	16	68	99.0	177	11.0	11	6	7	42	50	F04-F05
32A	32	190	76	135	100	16	2	4	16	72	103.0	177	11.0	11	6	9	42	70	F04-F07
40A	38	212	81	140	105	16	2	4	16	85	119.0	197	14.0	14	7	9	50	70	F05-F07
50A	49	230	96	155	120	16	2	4	19	92	126.0	197	14.0	14	7	9	50	70	F05-F07
65A	60	290	116	175	140	18	2	4	19	107	175.0	400	17.0	17	9	11	70	102	F07-F10
80A	75	310	126	185	150	18	2	8	19	119	187.0	400	17.8	17	9	11	70	102	F07-F10
100A	99	352	151	210	175	18	2	8	19	150	217.0	400	22.0	22	N/A	11	N/A	102	F10
125A	125	460	182	250	210	20	2	8	23	215	—	—	36.0	36	18	22	140	165	F14-F16
150A	150	490	212	280	240	22	2	8	23	229	—	—	36.0	36	18	22	140	165	F14-F16
200A	200	620	262	330	290	22	2	12	23	282	—	—	36.0	36	18	22	140	165	F14-F16

Unit: mm

■ JIS 20K DIMENSION TABLE

SIZE	d	L	R	D	C	T	f	N	h	H	H1	W	M	P	U1	U2	E1	E2	ISO 5211
15A	15	150	51	95	70	14	1	4	15	53	83.3	147	9.0	9	6	6	36	42	F03-F04
20A	20	165	56	100	75	16	1	4	15	57	87.0	147	9.0	9	6	7	36	50	F03-F05
25A	25	181	67	125	90	16	1	4	19	68	99.0	177	11.0	11	6	7	42	50	F04-F05
32A	32	190	76	135	100	18	2	4	19	72	103.0	177	11.0	11	6	9	42	70	F04-F07
40A	38	212	81	140	105	18	2	4	19	85	119.0	197	14.0	14	7	9	50	70	F05-F07
50A	49	230	96	155	120	18	2	8	19	92	126.0	197	14.0	14	7	9	50	70	F05-F07
65A	60	290	116	175	140	20	2	8	19	107	175.0	400	17.0	17	9	11	70	102	F07-F10
80A	75	340	132	200	160	22	2	8	23	119	187.0	400	17.8	17	9	11	70	102	F07-F10
100A	99	386	160	225	185	24	2	8	23	150	217.0	400	22.0	22	N/A	11	N/A	102	F10
125A	125	480	195	270	225	26	2	8	25	215	—	—	36.0	36	18	22	140	165	F14-F16
150A	150	520	230	305	260	28	2	12	25	229	—	—	36.0	36	18	22	140	165	F14-F16
200A	200	660	275	350	305	30	2	12	25	282	—	—	36.0	36	18	22	140	165	F14-F16

Unit: mm

