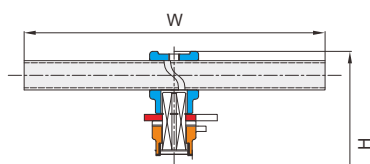
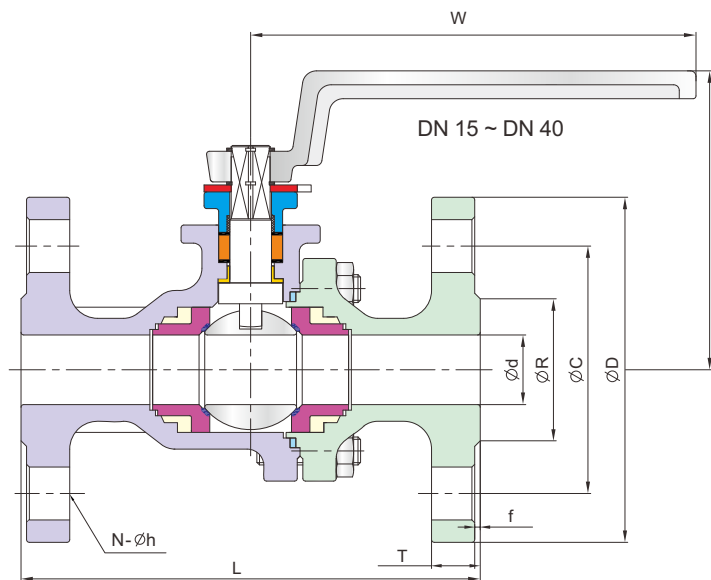
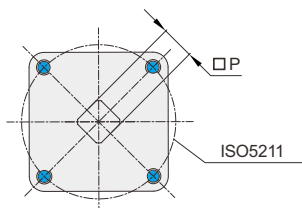


DIN PN 10/16/25/40
2-PC Body, Flanged Ends, Full Port

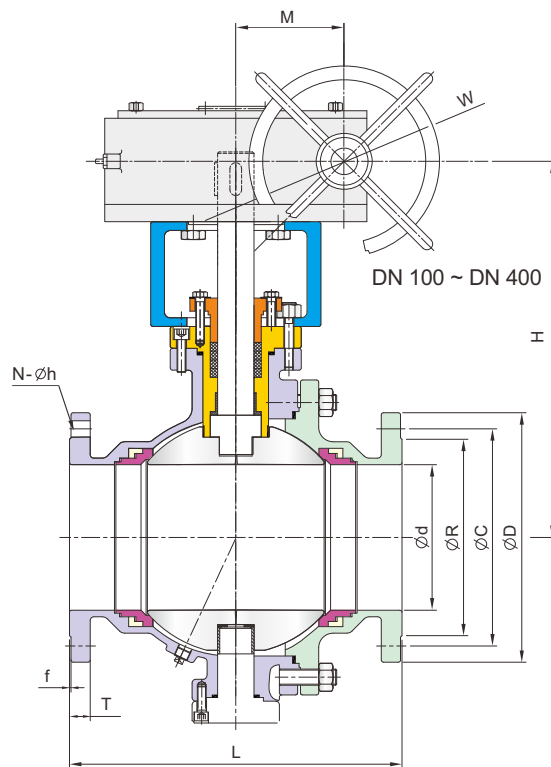
KV-M4J, KV-M4K, KV-M4M, KV-M4N (-29 °C ~ 200 °C)
KV-M6J, KV-M6K, KV-M6M, KV-M6N (-29 °C ~ 450 °C)



DN 50 ~ DN 80
(Floating Type)



DN 15 ~ DN 80
(Floating Type)



DN 100 ~ DN 400
(Trunnion Type)

DIN PN 10/16/25/40(EN 558-1 Series 1&27)

Unit: mm

Size	PN	Ød	L	ØR	ØC	ØD	f	T	N	Øh	H	W	M	P	ISO 5211 on Valve		
DN15	1/2"	15.0	130	45	65	95	2	16	4	14	82	130	—	9	F04		
DN20	3/4"	20.0	150	58	75	105	2	18	4	14	90	130	—	9	F04		
DN25	1"	25.0	160	68	85	115	2	18	4	14	107	160	—	11	F05		
DN32	1-1/4"	32.0	180	78	100	140	2	18	4	14	110	160	—	14	F05		
DN40	1-1/2"	38.0	200	88	110	150	2	18	4	18	130	200	—	14	F07		
DN50	2"	50.0	230	102	125	165	2	20	4	18	132	400	—	14	F07		
DN65	2-1/2"	10/16	290	122	145	185	2	18	8	18	195	400	—	17	F10		
		25/40						22									
DN80	3"	10/16	310	138	160	200	2	20	8	18	202	600	—	22	F10		
		25/40						24									
DN100	4"	10/16	350	158	180	220	2	20	8	18	323	305	92	22	F12		
		25/40		162	190	235		24								22	
DN125	5"	10/16	400	188	210	250	2	22	8	18	351	406	105	27	F14		
		25/40			220	270		26								26	
DN150	6"	10/16	480	212	240	285	2	22	8	22	437	406	105	27	F14		
		25/40			218	250		300								28	26
DN200	8"	10	600	268	295	340	2	22	8	22	502	508	120	36	F16		
		16						30									
		25						34									
		40						34									
DN250	10"	10	730	320	350	395	2	26	12	22	505	610	142	46	F16		
		16			355	405		26									
		25			335	370		425								32	30
		40			345	385		450								38	33
DN300	12"	10	850	370	400	445	2	26	12	22	426	610	172	55	F25		
		16			378	410		460								28	26
		25			395	430		485								34	30
		40			410	450		515								42	33

KV-M4J, KV-M6J — PN10 KV-M4M, KV-M6M — PN25
KV-M4K, KV-M6K — PN16 KV-M4N, KV-M6N — PN40

**L" for Series 27
"L" for Series 1