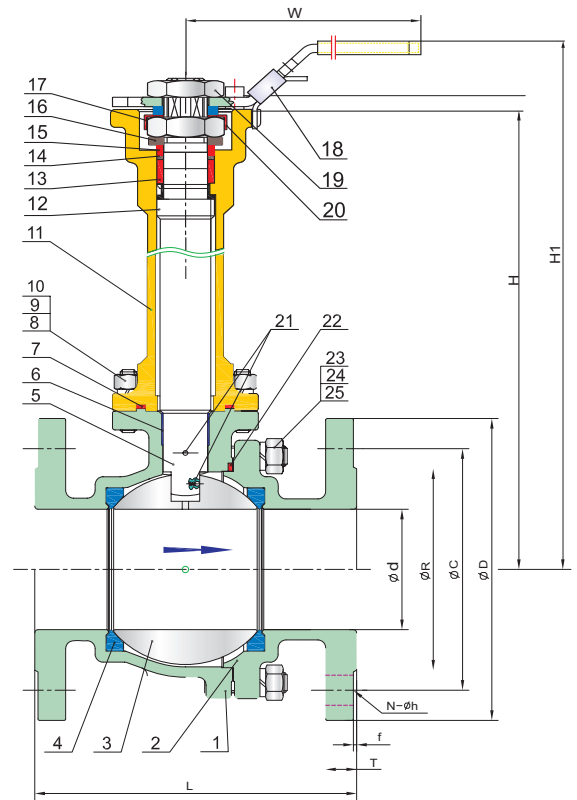
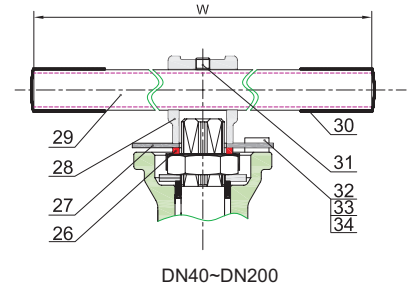


Applicable Standards:

- Design: EN 12516, BS 6364
- Face to Face: EN 558
- Flange Ends: EN 1092-1
- Wall Thickness: EN 12516
- Inspection & Testing: API 598, BS 6364
- Temperature: $-196^{\circ}\text{C} \leq T \leq +150^{\circ}\text{C}$

No.	Parts Name	Material	
1	Body	CF8M/1.4408	CF8/1.4308
2	Cap	CF8M/1.4408	CF8/1.4308
3	Ball	CF8M/1.4408	CF8/1.4308
4	Ball Seat	PCTFE	
5	Stem	F316/1.4401	F304/1.4301
6	Stem Sleeve	50%SS+50%PTFE	
7	Gasket 1	TFM1600/316 Spiral Wound + Grafoil*	
8	Bolt	A320-B8 / A2-70	
9	Nut	A194-8 / A2-70	
10	Bushing	304	
11	Extention Bonnet	F316	F304
12	Sleeve	50%SS+50%PTFE	
13	Stem Packing	TFM1600/Grafoil*	
14	Bushing	304	
15	Gland	316	304
16	Belleville Washer	301	
17	Stem Nut	A194-8	
18	Lever(DN15~DN32)	CF8	
19	Lever Nut(DN15~DN32)	A194-8	
20	Stem Bushing	304	
21	Anti-Static Device	304	
22	Gasket 2	TFM1600/316 Spiral Wound + Grafoil*	
23	Bolt	A320-B8 / A2-70	
24	Nut	A194-8 /	
25	Washer	304	
26	Square slot bushing (DN40~DN200)	304	
27	Stop-lock Cap(DN40~DN200)	420	
28	Handle Adaptor(DN40~DN200)	CF8	
29	Pipe Handle(DN40~DN200)	A53+Zn Plated	
30	Lever Sleeve(DN40~DN200)	VINYL PLASTIC	
31	Set screw (DN40~DN200)	304	
32	Stop Bolt (DN40~DN200)	304	
33	Nut (DN40~DN200)	A2-70	
34	Washer(DN40~DN200)	304	

*Materials for Fire-Safe Type



DN15-DN32

DIN PN16/PN40

SIZE	PN	d	L	R	C	D	f	T	N	h	W	H	H1	ISO 5211
DN15	16	15	130	45	65	95	2	16	4	14	135	290	322	F05
DN20		20	130	58	75	105	2	18	4	14	135	293	325	F05
DN25		25	140	68	85	115	2	18	4	14	170	318	350	F07
DN32		32	165	78	100	140	2	18	4	18	170	323	355	F07
DN40		38	165	88	110	150	3	18	4	18	200	365	393	F10
DN50	50	203	102	125	165	3	18	4	18	200	372	400	F10	
DN65	16	63.5	222	122	145	185	3	18	4	18	400	457	492	F10
	22													
DN80	16	76	241	138	160	200	3	20	8	18	400	465	500	F10
	24													
DN100	16	100	305	158	180	220	3	20	8	18	400	580	650	F12
	190				235	24								
DN125	16	125	356	188	210	250	3	22	8	18	600	633	703	F12
	220				270	26								
DN150	16	150	394	212	240	285	3	22	8	22	800	700	780	F16
	250				300	28								
DN200	16	200	457	268	295	340	3	24	12	22	800	750	830	F16
	284			320	375	34		30						

Unit:mm