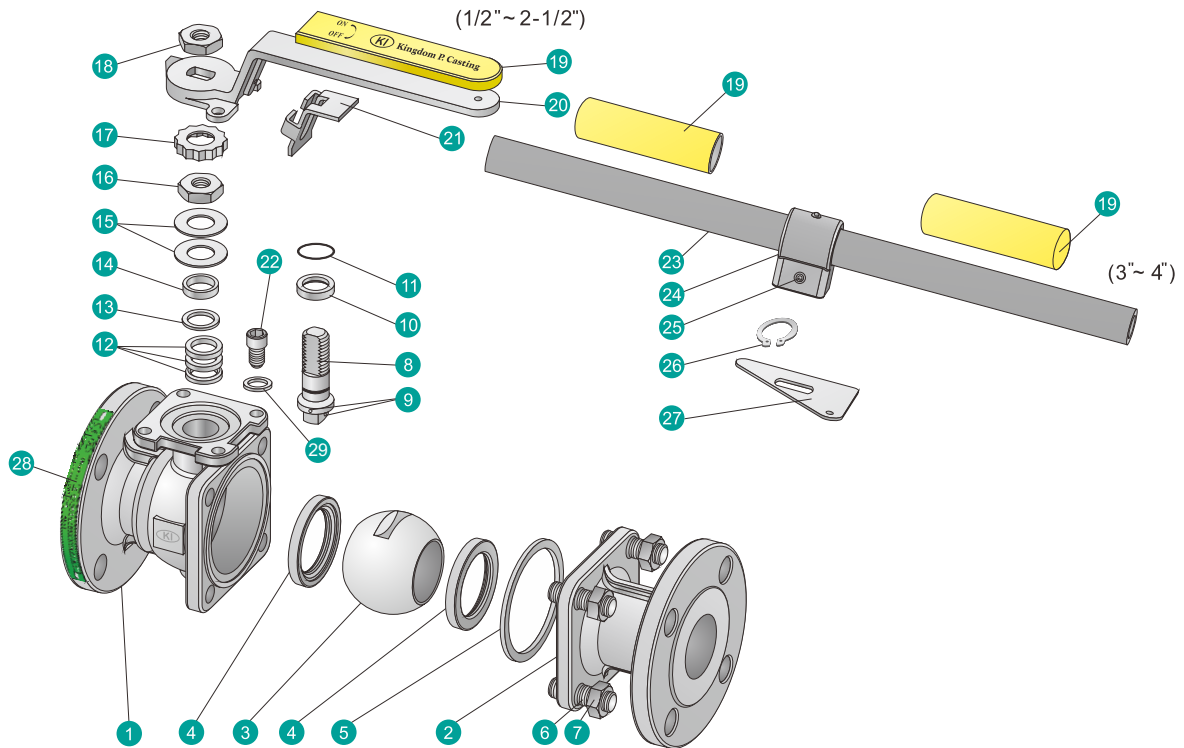


Standard	ANSI/ASME	DIN	JIS
Rating	B16.34 CLASS 150 (BS EN ISO17292 CLASS 150) B16.34 CLASS 300 (BS EN ISO17292 CLASS 300)	DIN 3357 PN10 - PN40 EN 12516-1	B2001 10K B2001 20K
Face to Face	B16.10	DIN 3202 F4/F18 DIN 3202 F1/F17 EN 558 Series28 / Series27	B2002 10K Form 6 B2002 20K Form 10
Connection Facing	B16.5RF serrated Finish (AARH200 or Ra. 6.3 um)	DIN EN1092-1	B2220 10K B2220 20K
Inspection & Testing	API 598, API 6D	DIN 3230/3, EN 12266	JIS B2003
Quality Assurance	ISO 9001, QS9000 AD 2000 - Merkblatt W0 PED 97/23/EC CE0036 API 6D	ISO 9001, QS9000 AD 2000 - Merkblatt W0 PED 97/23/EC CE0036 API 6D	ISO 9001, QS9000 AD 2000 - Merkblatt W0 PED 97/23/EC CE 0036 API 6D

AVAILABLE OPTIONS

- Other Alloy are Available
- Casting per NACE/MR - 01 - 75 for Sour Gas Service.
- Inspection Certificate according to EN 10204 3.2 Form



MATERIALS

NO.	PART NAME	MATERIALS		
		ANSI	ANSI	ANSI
1	Body	A351 - CF8M	A351 - CF8	A216 - WCB
2	End Cap	A351 - CF8M	A351 - CF8	A216 - WCB
3	Ball	A351 - CF8M	A351 - CF8	
4	Ball Seat		TFM1600/ PTFE / RTFE	
5	Body Gasket		PTFE / 316 SPIRAL WOUND+GRAFOIL*	
6	Bolting	A193-B8		A193-B7
7	Bolt Nut	A194-8		A194-2H
8	Stem	316		304
9	Anti-Static Device	316		304
10	Thrust Washer		PTFE	
11	O-Ring		FKM	
12	Stem Packing		PTFE / GRAFOIL*	
13	Bushing		50%SS+50%PTFE / 304*	
14	Gland		316	
15	Belleville Washer		301	
16	Stem Nut		A194 - 8	
17	Stop-lock-cap		304	
18	Lever Nut (1/2"~2-1/2")		A194 - 8	
19	Lever Sleeve (1/2"~2-1/2")		VINYL PLASTIC	
20	Lever (1/2"~2-1/2")		304	
21	Lock Device (1/2"~2-1/2")		304	
22	Stop Bolt		A2-70	
23	Pipe Handle (3"~4")		A53+Zn PLATED	
24	Handle Adapter (3"~4")		A351 - CF8	
25	Set Screw (3"~4")		A193 - B8	
26	Snap Ring (3"~4")		304	
27	Triangle Stopper (3"~4")		304	
28	Nameplate		304	
29	Bearing		304	

*Materials for KV-060 Series (Fire-Safe Models)

EN PN 10-40 2-PC Body, Flanged Ends, Full Port

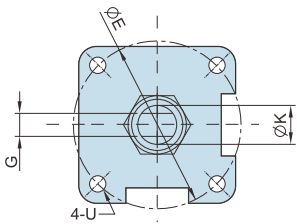
KV-04J, KV-04K, KV-04M, KV-04N (Bracket Mount Type)
KV-06J, KV-06K, KV-04M, KV-04N (Bracket Mount Type / Fire Safe Type)

DESIGN FEATURES:

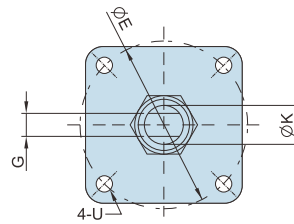
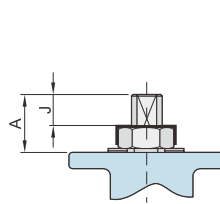
- Built-in ISO 5211 Mounting Pad for Easy Automation
- **Fire Safe** Design Approved
- Anti-Static Devices for Ball-Stem-Body
- Blow-out Proof Stem
- Pressure Balance Hole in Ball Slot
- **TA-LUFT** Design Approved
- Casting Boss on Body for Draining

APPLICABLE STANDARDS:

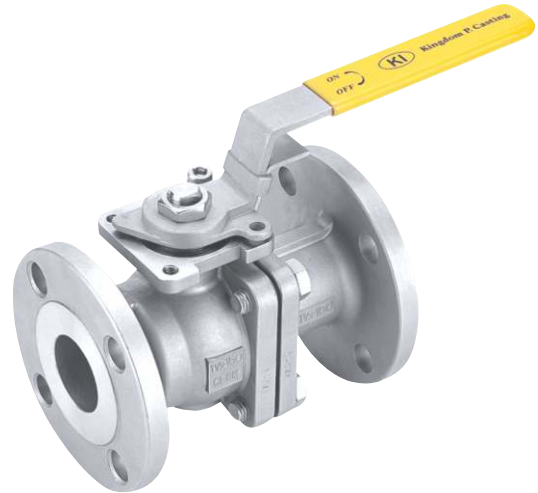
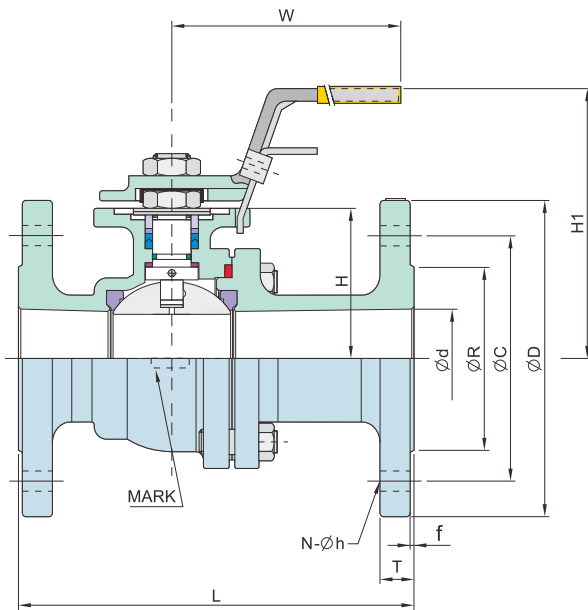
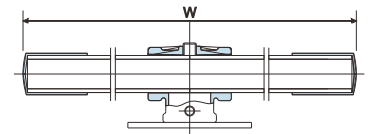
- Design : DIN 3357 / 1,2, EN 12516-1
- Fire Design : API 607 5th 2005, ISO 10497
- Face to Face :
DIN 3202 F1 / EN558 Series 1 & 28
DIN 3202 F4 / EN558 Series 27
- Wall Thickness : ASME B16.34, EN 12516-1
- Flanged Ends : EN1092-1 PN10-PN40
- Inspection & Testing : DIN 3230/3, EN 12266



DN 15 ~ DN 65



DN 80 ~ DN 100



EN PN 10/16/25/40 (F1, F4)

Unit: mm

SIZE	PN	d	L	*L	R	D	C	f	T	H	H1	N	h	W	G	A	J	K	U	E	ISO 5211	
DN15	1/2"	10~40	15	115	130	45	95	65	2	16	36.0	86	4	14	135	6.3	21.0	10	12	M5	42	F04
DN20	3/4"	10~40	20	120	150	58	105	75	2	18	40.0	90	4	14	135	6.3	21.0	10	12	M5	42	F04
DN25	1"	10~40	25	125	160	68	115	85	2	18	45.5	96	4	14	170	9.0	24.0	11	15	M6	50	F05
DN32	1-1/4"	10~40	32	130	180	78	140	100	2	18	50.0	102	4	18	170	9.0	24.0	11	15	M6	50	F05
DN40	1-1/2"	10~40	38	140	200	88	150	110	3	18	61.0	114	4	18	200	9.6	27.0	16	16	M8	70	F07
DN50	2"	10~40	50	150	230	102	165	125	3	20	70.5	127	4	18	200	9.6	27.0	16	16	M8	70	F07
DN65	2-1/2"	10/16 25/40	64	170	290	122	185	145	3	18	88.5	160	4	18	300	16.0	42.5	26	24	M10	102	F10
										22	107.0	179	8									
DN80	3"	10/16 25/40	76	180	310	138	200	160	3	20	100.0	170	8	18	300	16.0	42.5	26	24	M10	102	F10
										24	116.5	189	8									
DN100	4"	10/16 25/40	100	190	350	158	220	180	3	20	121.0	207	8	18	400	18.0	49.5	26	29	M10	102	F10
						162	235	190		24	134.0	222	22									

KV-04J, KV-06J – **PN10**
KV-04K, KV-06K – **PN16**

KV-04M, KV-06M – **PN25**
KV-04N, KV-06N – **PN40**

"L" For Series F4
"L" For Series F1