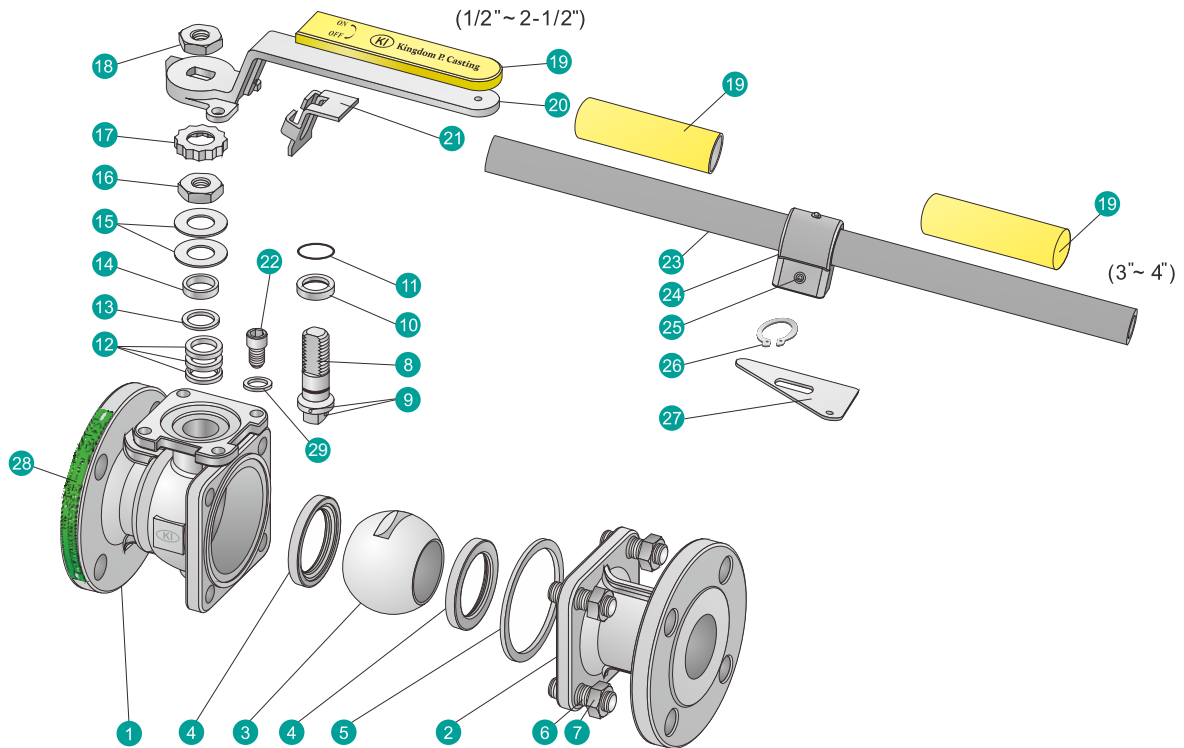


Standard	ANSI/ASME	DIN	JIS
Rating	B16.34 CLASS 150 (BS EN ISO17292 CLASS 150) B16.34 CLASS 300 (BS EN ISO17292 CLASS 300)	DIN 3357 PN10 - PN40 EN 12516-1	B2001 10K B2001 20K
Face to Face	B16.10	DIN 3202 F4/F18 DIN 3202 F1/F17 EN 558 Series28 / Series27	B2002 10K Form 6 B2002 20K Form 10
Connection Facing	B16.5RF serrated Finish (AARH200 or Ra. 6.3 um)	DIN EN1092-1	B2220 10K B2220 20K
Inspection & Testing	API 598, API 6D	DIN 3230/3, EN 12266	JIS B2003
Quality Assurance	ISO 9001, QS9000 AD 2000 - Merkblatt W0 PED 97/23/EC CE0036 API 6D	ISO 9001, QS9000 AD 2000 - Merkblatt W0 PED 97/23/EC CE0036 API 6D	ISO 9001, QS9000 AD 2000 - Merkblatt W0 PED 97/23/EC CE 0036 API 6D

AVAILABLE OPTIONS

- Other Alloy are Available
- Casting per NACE/MR - 01 - 75 for Sour Gas Service.
- Inspection Certificate according to EN 10204 3.2 Form



MATERIALS

NO.	PART NAME	MATERIALS		
		ANSI	ANSI	ANSI
1	Body	A351 - CF8M	A351 - CF8	A216 - WCB
2	End Cap	A351 - CF8M	A351 - CF8	A216 - WCB
3	Ball	A351 - CF8M	A351 - CF8	
4	Ball Seat		TFM1600/ PTFE / RTFE	
5	Body Gasket		PTFE / 316 SPIRAL WOUND+GRAFOIL*	
6	Bolting	A193-B8		A193-B7
7	Bolt Nut	A194-8		A194-2H
8	Stem	316	304	
9	Anti-Static Device	316	304	
10	Thrust Washer		PTFE	
11	O-Ring		FKM	
12	Stem Packing		PTFE / GRAFOIL*	
13	Bushing		50%SS+50%PTFE / 304*	
14	Gland		316	
15	Belleville Washer		301	
16	Stem Nut		A194 - 8	
17	Stop-lock-cap		304	
18	Lever Nut (1/2"~2-1/2")		A194 - 8	
19	Lever Sleeve (1/2"~2-1/2")		VINYL PLASTIC	
20	Lever (1/2"~2-1/2")		304	
21	Lock Device (1/2"~2-1/2")		304	
22	Stop Bolt		A2-70	
23	Pipe Handle (3"~4")		A53+Zn PLATED	
24	Handle Adapter (3"~4")		A351 - CF8	
25	Set Screw (3"~4")		A193 - B8	
26	Snap Ring (3"~4")		304	
27	Triangle Stopper (3"~4")		304	
28	Nameplate		304	
29	Bearing		304	

*Materials for KV-060 Series (Fire-Safe Models)

JIS 10K/20K 2-PC Body, Flanged Ends, Full Port

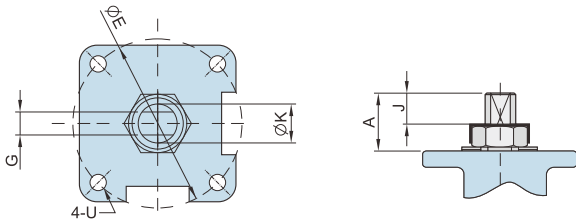
KV-04A, KV-04C (Bracket Mount Type)
KV-06A, KV-06C (Bracket Mount Type / Fire Safe Type)

DESIGN FEATURES:

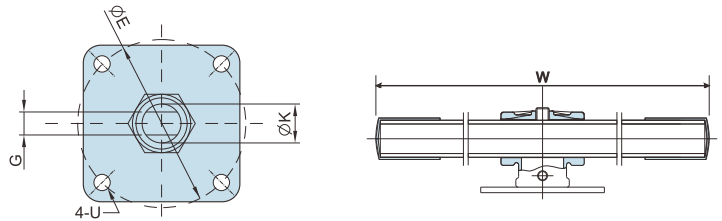
- Built-in ISO 5211 Mounting Pad for Easy Automation
- **Fire Safe** Design Approved
- Anti-Static Devices for Ball-Stem-Body
- Blow-out Proof Stem
- Pressure Balance Hole in Ball Slot
- **TA-LUFT** Design Approved
- Casting Boss on Body for Draining

APPLICABLE STANDARDS:

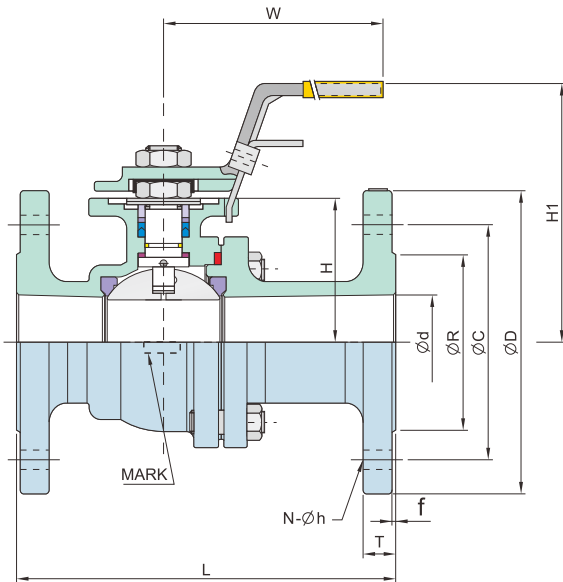
- Design : ASME B16.34
- Fire Safe : API 607 5th 2005, ISO 10497
- Face to Face : JIS B2002 (ASME B16.10)
- Flanged Ends : JIS B2220
- Wall Thickness : ASME B16.34
- Inspection & Testing : JIS B2003, API 598



15A ~ 65A



80A ~ 100A



JIS 10K

KV-04A, KV-06A

Unit: mm

SIZE	d	L	R	D	C	f	T	H	H1	N	h	W	G	A	J	K	U	E	ISO 5211	
15A	1/2"	15	108	51	95	70	1	12	37.0	86.0	4	15	135	6.3	20.0	10	12	M5	42	F04
20A	3/4"	20	117	56	100	75	1	14	40.5	93.0	4	15	135	6.3	20.0	10	12	M5	42	F04
25A	1"	25	127	67	125	90	1	14	46.0	96.0	4	19	170	9.0	24.0	11	15	M6	50	F05
32A	1-1/4"	32	140	76	135	100	2	16	50.0	102.0	4	19	170	9.0	24.0	11	15	M6	50	F05
40A	1-1/2"	38	165	81	140	105	2	16	62.0	114.0	4	19	200	9.6	27.0	16	16	M8	70	F07
50A	2"	50	178	96	155	120	2	16	70.5	127.0	4	19	200	9.6	27.0	16	16	M8	70	F07
65A	2-1/2"	64	190	116	175	140	2	18	89.0	161.0	4	19	300	16.0	42.5	21	24	M10	102	F10
80A	3"	76	203	126	185	150	2	18	99.5	170.5	8	19	300	16.0	42.5	21	24	M10	102	F10
100A	4"	100	229	151	210	175	2	18	120.5	209.0	8	19	400	18.0	47.5	25	29	M10	102	F10

JIS 20K

KV-04C, KV-06C

Unit: mm

SIZE	d	L	R	D	C	f	T	H	H1	N	h	W	G	A	J	K	U	E	ISO 5211	
15A	1/2"	15	140	51	95	70	1	14	37.0	86	4	15	135	6.3	20.0	10	12	M5	42	F04
20A	3/4"	20	152	56	100	75	1	16	40.0	90	4	15	135	6.3	20.0	10	12	M5	42	F04
25A	1"	25	165	67	125	90	1	16	45.5	96	4	19	170	9.0	24.0	11	15	M6	50	F05
32A	1-1/4"	32	178	76	135	100	2	18	50.0	102	4	19	170	9.0	24.0	11	15	M6	50	F05
40A	1-1/2"	38	190	81	140	105	2	18	61.5	114	4	19	200	9.6	27.0	16	16	M8	70	F07
50A	2"	50	216	96	155	120	2	18	70.5	127	8	19	200	9.6	27.0	16	16	M8	70	F07
65A	2-1/2"	64	241	116	175	140	2	20	89.0	146	8	19	250	16.0	42.5	21	24	M10	102	F10
80A	3"	76	283	132	200	160	2	22	100.0	155	8	23	300	16.0	42.5	21	24	M10	102	F10
100A	4"	100	305	160	225	185	2	24	120.0	209	8	23	400	18.0	47.5	25	29	M10	102	F10