

**FEATURES:**

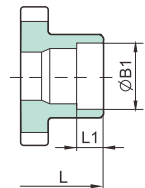
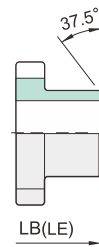
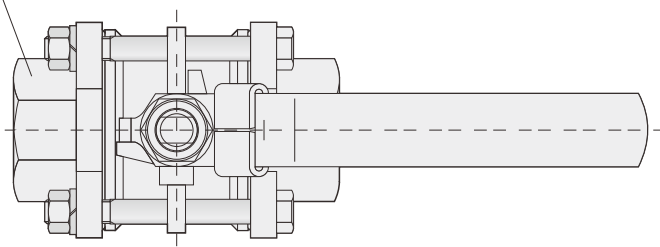
- Blow-out Proof Stem
- Pressure Balance Hole in Ball Slot
- Various Thread Standards Available
- Casting Approved by TÜV AD 2000 - Merkblatt W0

**APPLICABLE STANDARDS:**

- Design : MSS SP-110
- Wall Thickness : EN 12516 - 3
- Pipe Thread **KV-030**: ASME B1.20.1  
DIN 2999 / 259, ISO 228 / 1  
JIS B 0203, ISO 7 / 1
- Butt Weld **KV-031**: ASME B16.25 ( ØB2 Sch 40)
- Extended Butt Weld **KV-031-L**: ASME B16.25 ( ØB2 Sch 40)
- Socket Weld **KV-032**: ASME B16.11
- Inspection & Testing: MSS SP-110



HEX.B

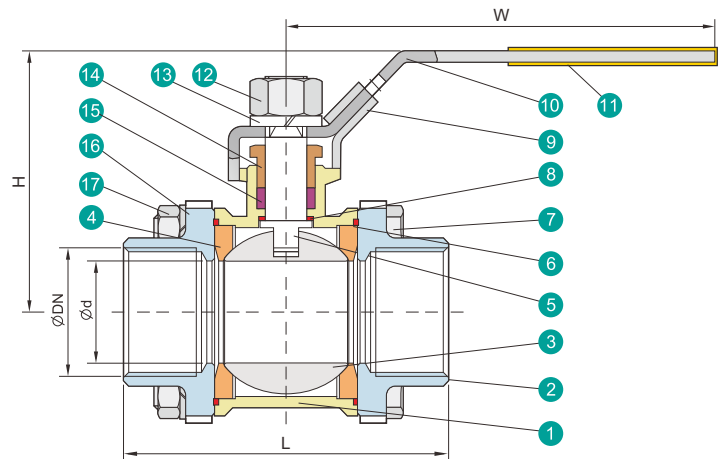


LB (Butt-welding Ends)

LE (Extended Butt-welding Ends)

SOCKET WELD END

NO.	PART NAME	MATERIALS		
1	Body	CF8M	CF8	WCB
2	Cap (Thread)	CF8M	CF8	WCB
	Cap (Welding)	CF3M	CF3	
3	Ball	CF8M	CF8	
4	Ball Seat	PTFE		
5	Stem	316	304	
6	Body Gasket	PTFE		
7	Bolt	A193 - B8 / A2-70		
8	Thrust Washer	PTFE		
9	Locking Device	304		
10	Lever	304		
11	Lever Sleeve	Vinyl Plastic		
12	Stem Nut	A194 - 8		
13	Stem Washer	304		
14	Gland Nut	304		
15	Packing	PTFE		
16	Bolt Washer	304		
17	Bolt Nut	A194 - 8 / A2-70		



Unit: mm

SIZE	d	L	LB	LE	H	W	L1	B1	B2	B3	HEX.B	DN
1/4"	10.6	65.2	65.2	225	57.5	100.0	10	14.2	9.3	18	23.5	DN
3/8"	12.7	65.2	65.2	225	57.5	100.0	10	17.5	12.5	18	23.5	NPT
1/2"	15.0	69.5	75.0	225	57.5	100.0	10	21.8	15.8	22	28.0	BSP
3/4"	20.0	80.0	90.0	225	63.0	129.0	13	27.3	20.9	28	34.5	PT
1"	25.0	90.0	100.0	245	75.5	156.0	13	34.0	26.7	34	42.0	DIN
1-1/4"	32.0	110.0	110.0	255	81.0	156.0	16	42.8	35.1	43	52.0	etc...
1-1/2"	38.0	120.0	125.0	260	94.0	182.5	16	49.0	40.9	50	58.5	
2"	50.0	140.0	150.0	275	104.5	182.5	17	61.4	52.5	61	71.5	
2-1/2"	63.5	185.0	190.0	330	131.0	252.0	17	74.0	62.7	76	86.5	
3"	76.0	205.0	220.0	356	139.0	252.0	17	90.0	78.0	92	101.0	