

# STAINLESS STEEL SWING CHECK VALVES

## DESIGN FEATURE

### BOLTING

The body-cover bolts are manufactured in accordance with API Standard. The bolting also strictly conform with ASME B 1.1 CLASS 2A&2B as well as ASME B18.2.2.

### COVER

The cover material is identical to the body.

### ARM

The arm material is identical to the body. The arm shaft is accurately machined and lapped to eliminate friction stress.

### HINGE PIN

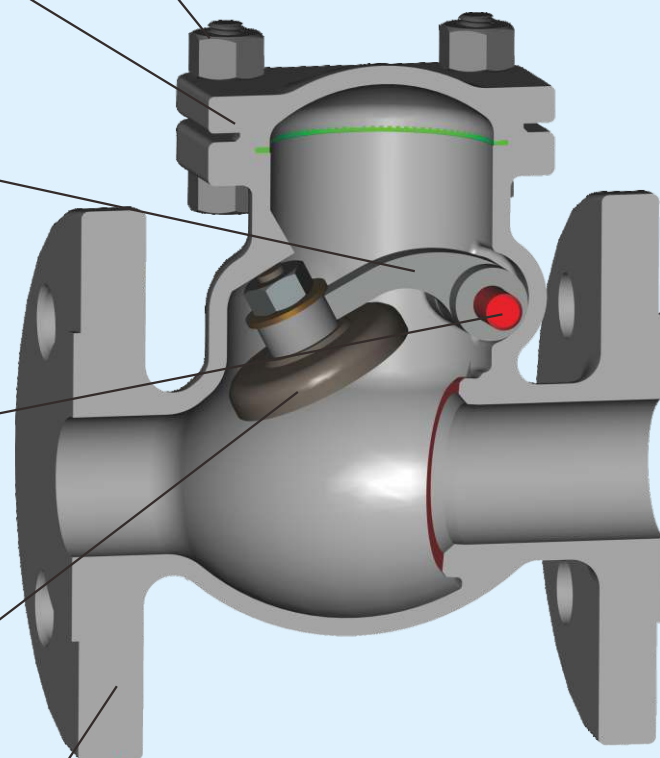
The hinge pin is inserted into the valve and held in position by plug. Then is sealed with gasket.

### DISC

The disc has a sufficient seating surface area which is ground and lapped to a mirror finish. It is of one-piece construction and is heat treated to achieve the required mechanical properties and hardness.

### BODY

The body is designed with a wall thickness which is greater at any point than the minimum requirement provided by API Standard. Port and seat passage dimensions conform to ASME B16.5 and B 16.34. The standard body-cover joint is male-female, and the flange is round for all valves.



# STAINLESS STEEL SWING CHECK VALVES

## DESIGN FEATURES:

- Bolted Cover
- Swing Type
- For Horizontal or Vertical Lines
- Integrated Body Seat

## APPLICABLE STANDARDS:

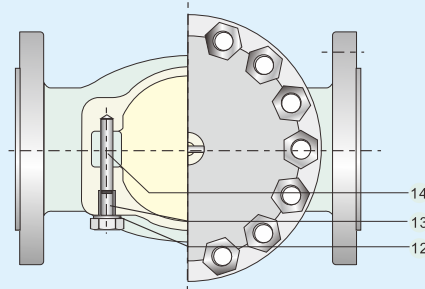
- Design: ASME B 16.34
- Face to Face: ASME B 16.10
- Flanged Ends: ASME B 16.5
- Inspection and Test: API 598, API 6D



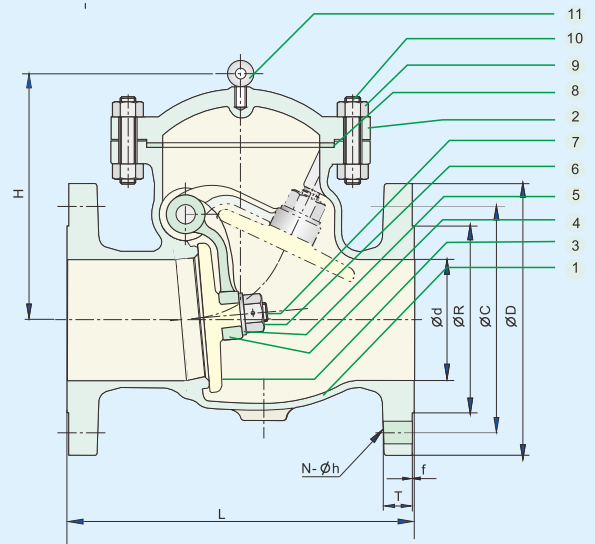
## TEST PRESSURE TO API 598

PSIG

CLASS	SHELL TEST(WATER)	SEATS TEST(WATER)	SEATS TEST(AIR)
150#	425(30Bar)	304(22Bar)	80(6Bar)



NO.	NAME OF PART	MATERIALS	
1	Body	A351-CF8	A351-CF8M
2	Cover	A351-CF8	A351-CF8M
3	Disc	A351-CF8	A351-CF8M
4	Arm	A351-CF8	A351-CF8M
5	Disc Washer	304	316
6	Disc Nut	304	316
7	Nut Pin	304	316
8	Cover Gasket	PTFE /304(316)SPIRAL WOUND+GRAFOIL FILLER	
9	Cover Nut	A194-8	
10	Cover Bolt	A193-B8	
11	Eye Bolt	A276-304	
12	Plug Gasket	PTFE /GRAFOIL	
13	Plug	A351-CF8	A351-CF8M
14	Hinge Pin	A276-304	A276-316



## CLASS 150# DIMENSIONAL TABLE

## KC-150

SIZE	d	L	D	C	R	T	f	N-h	H
1/2"	15	108	90	60.3	35.0	8.0	2	4 - 16.0	82.0
3/4"	20	117	100	69.9	43.0	8.9	2	4 - 16.0	85.0
1"	25	127	110	79.4	51.0	9.6	2	4 - 16.0	85.0
1-1/4"	32	140	115	88.9	63.5	11.2	2	4 - 16.0	102.0
1-1/2"	40	165	125	98.4	73.0	12.7	2	4 - 16.0	115.0
2"	50	203	150	120.7	92.0	14.3	2	4 - 19.0	138.0
2-1/2"	64	216	180	139.7	105.0	15.9	2	4 - 19.0	152.0
3"	76	241	190	152.4	127.0	17.5	2	4 - 19.0	167.0
4"	100	292	230	190.5	157.2	22.3	2	8 - 19.0	190.0
5"	125	330	255	215.9	186.0	22.3	2	8 - 22.4	254.0
6"	150	356	280	241.3	216.0	23.9	2	8 - 22.4	292.0
8"	200	495	345	298.5	270.0	27.0	2	8 - 22.4	385.0